

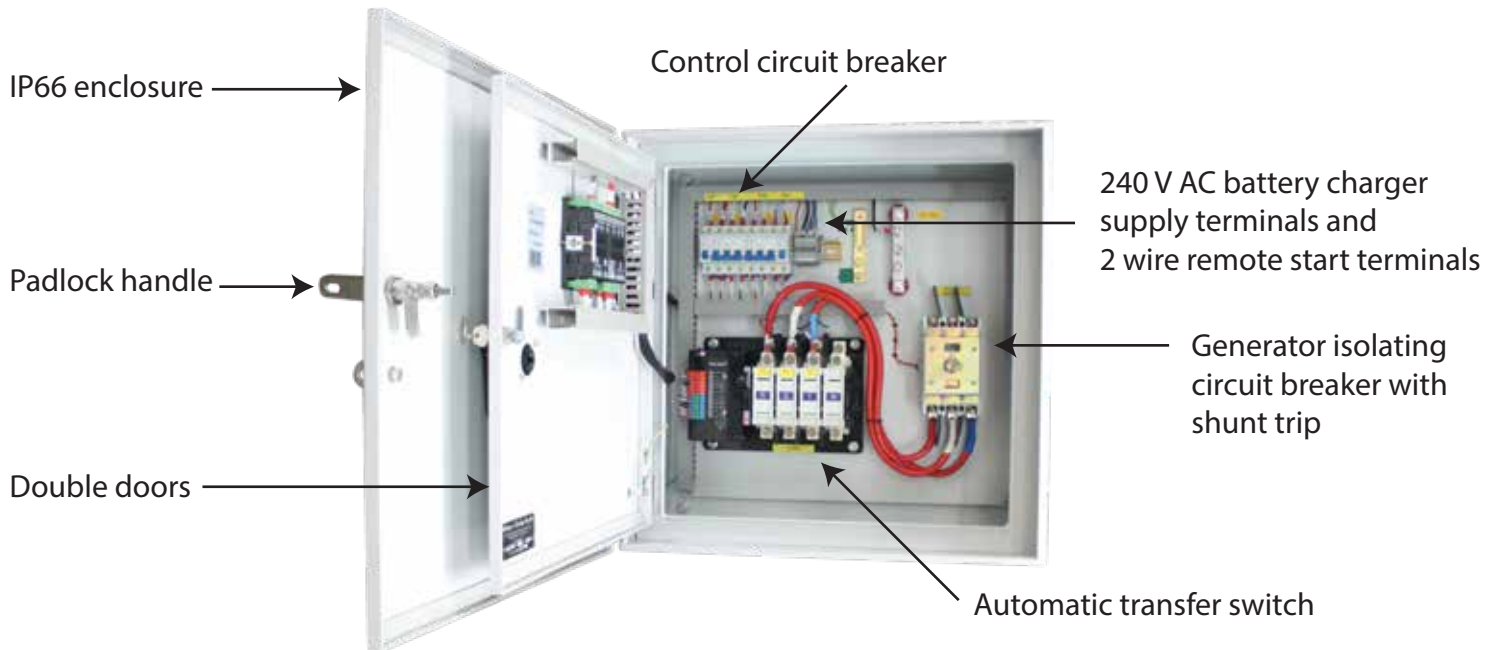
Automatic Transfer Switch (ATS) Controller



Digital LCD display

Generator isolating handle

Warning labels provided (dual supply)



IP66 enclosure

Control circuit breaker

Padlock handle

240 V AC battery charger supply terminals and 2 wire remote start terminals

Double doors

Generator isolating circuit breaker with shunt trip

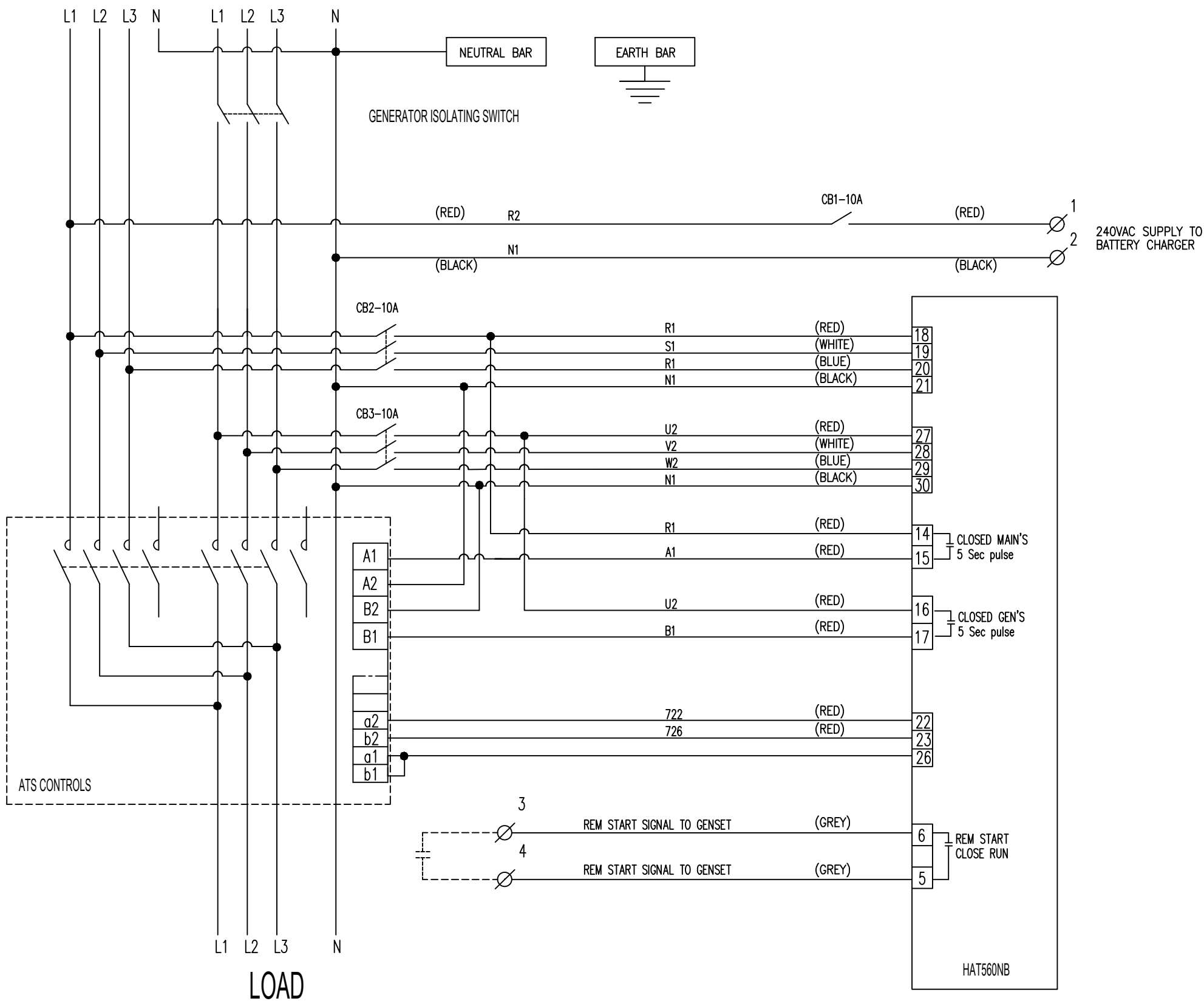
Automatic transfer switch

ITEM CODE	PRODUCT CODE	DESCRIPTION	DIMENSIONS (mm)	WEIGHT
413841	80-CONTROL-ATS-0125-2Wire	ATS 125 Amps	600Hx600Wx300D	40KG
413842	80-CONTROL-ATS-0160-2Wire	ATS 160 Amps	600Hx600Wx300D	45KG
413843	80-CONTROL-ATS-0250-2Wire	ATS 250 Amps	600Hx600Wx300D	50KG
413844	80-CONTROL-ATS-0400-2Wire	ATS 400 Amps	600Hx600Wx300D	55KG
413845	80-CONTROL-ATS-0630-2Wire	ATS 630 Amps	800Hx600Wx300D	70KG
413846	80-CONTROL-ATS-1000-2Wire	ATS 1000 Amps	Made to order	

AUTOMATIC TRANSFER SWITCH

MAINS SUPPLY 415/240VAC

GENS SUPPLY 415/240VAC



TERMINATION

1. ACTIVE 240AC BATTERY CHARGER
2. NEUTRAL 240VAC BATTERY CHARGER
3. GEN REMOTE START
4. GEN REMOTE START

WIRE COLOUR CODE

ALL 415/240VAC SUPPLY MUST BE AS FOLLOWS

- L1 - RED
- L2 - WHITE
- L3 - BLUE
- N - BLACK

240VAC CONTROL

- L1 - RED
- N - BLACK

DRY CONTACTS

GREY

CABLE WIRE SIZE 1.5MM SQ

REV.	DESCRIPTION	DATE	DESIGNED	DRAWN	ENG_CK	DWG_CK	APPD	CLIENT
D	ADD 4 POLE ON ATS	09.07.20	SB	SB	S.B.	S.B.	S.B.	
C	CHANGE REMOTE START COMMAND FROM N/O TO N/C	15.08.17	SB	SB	S.B.	S.B.	S.B.	
B	REMOVE SHUNT TRIP AND COMMON NEUTRAL	30.06.17	SB	SB	S.B.	S.B.	T.L.	
A	AS INSTALLED	22.03.17	SB	SB	S.B.	S.B.	T.L.	

W&C
WELLING & CROSSLEY PTY LTD
 59 EXPORT DRIVE BROOKLYN VIC. 3012
 10+2 CANLEY VALE RD, WETHERILL PK NSW 2164
 2/55 CHRISTENSEN RD STAPLTON QLD 4207
 UNIT 19/547 INDUSTRY PARK,
 547-593 WOOLCOCK ST, MT LOUISA QLD
 EMAIL: wellcross@wellcross.com.au

DESIGNED:	S.B.	DATE:	09.07.20
DRAWN:	S.B.	DATE:	09.07.20
CHECKED:	S.B.	DATE:	09.07.20
APPROVED:	S.B.	DATE:	09.07.20
SCALE:	NO SCALE		
STATUS:			

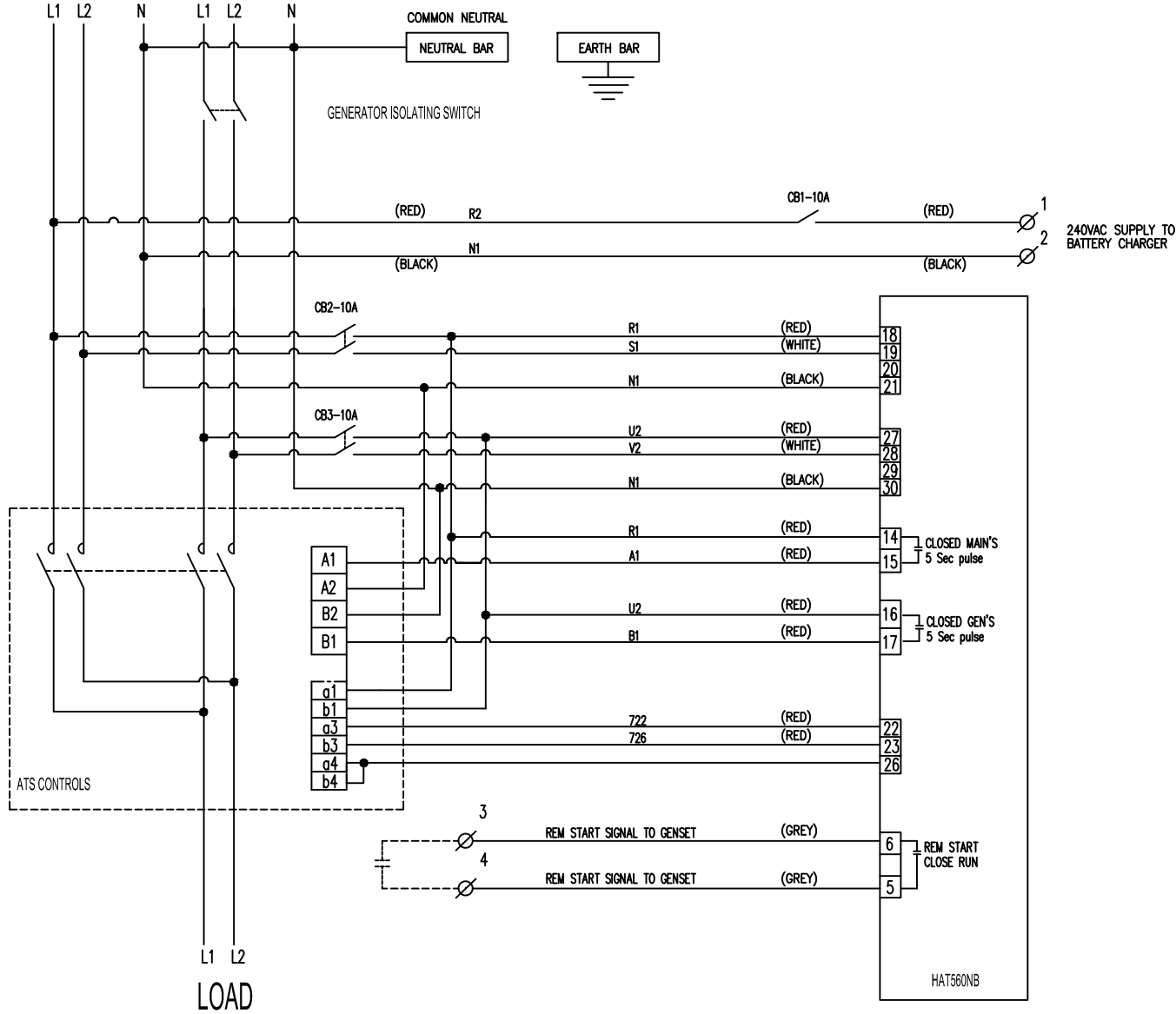
DRAWING TITLE:
**ATS CONTROLLER 3 PHASE
 ELECTRICAL SCHEMATIC**

HAT560NB

SHEET SIZE: **A3** DRAWING No. **170321** REVISION **D**

AUTOMATIC TRANSFER SWITCH

MAINS SUPPLY 480/240VAC GENS SUPPLY 480/240VAC



TERMINATION

1. ACTIVE 240AC BATTERY CHARGER
2. NEUTRAL 240VAC BATTERY CHARGER
3. GEN REMOTE START
4. GEN REMOTE START

WIRE COLOUR CODE

ALL 480/240VAC SUPPLY MUST BE AS FOLLOWS

L1 - RED
L2 - WHITE

N - BLACK

240VAC CONTROL

L1 - RED
N - BLACK

DRY CONTACTS

GREY

CABLE WIRE SIZE 1.5MM SQ

CONSULTANT LOGO	CONSULTANT PROJECT NO.	CONSULTANT DRAWING NO.	REF. DRAWING NO.	REFERENCE DRAWINGS	REV.	DESCRIPTION	DATE	DESIGNED	DRAWN	ENG. CK	DWG. CK	APPD.	CLIENT
					B	REMOVED NEUTRAL SWITCHING	10.03.20	SB	SB	S.B.	S.B.	S.B.	
					A	AS INSTALLED	14.09.17	SB	SB	S.B.	S.B.	S.B.	

W&C
WELLING & CROSSLEY PTY LTD
59 EXPORT DRIVE BROOKLYN VIC. 3012
042 CANLEY VALE RD, WETHERILL PK NSW 2164
UNIT 5/235 CAMDOUN RD MALAGA WA 6090
2/55 CHRISTENSEN RD STAPLTON QLD 4207
UNIT 19/547 INDUSTRY PARK,
547-593 WOOLCOCK ST, MT LOUISA QLD

EMAIL: wellcross@wellcross.com.au

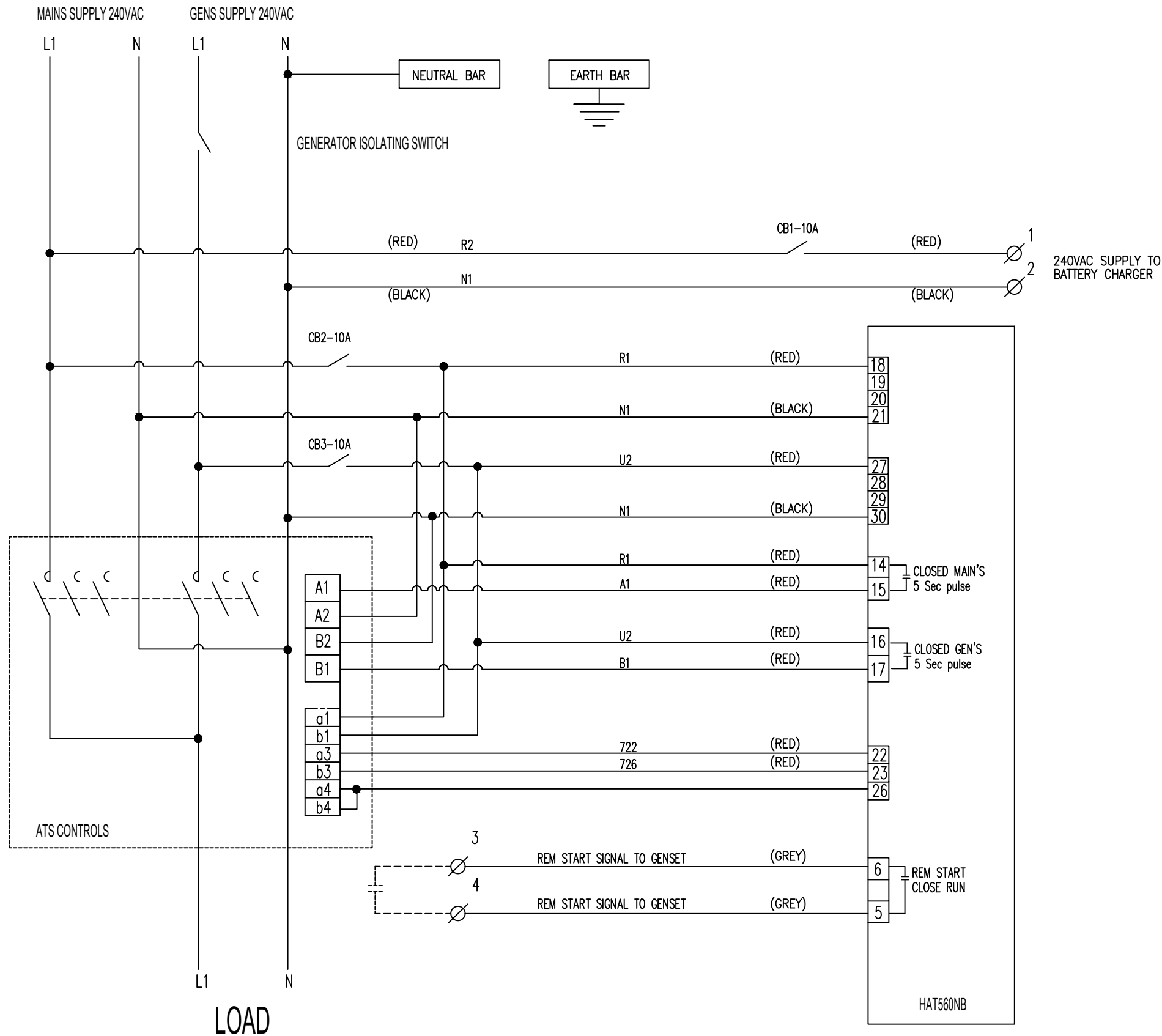
DESIGNED	DATE	DRAWING TITLE
S.B.	14.09.17	ATS CONTROLLER 2 PHASE ELECTRICAL SCHEMATIC
DRAWN	DATE	
S.B.	14.09.17	
CHECKED	DATE	
S.B.	14.09.17	
APPROVED	DATE	
T.L.	14.09.17	
SCALE	NO SCALE	
STATUS		

ATS CONTROLLER 2 PHASE ELECTRICAL SCHEMATIC

HAT560NB

SHEET SIZE A3 DRAWING No. 170531A REVISION B

AUTOMATIC TRANSFER SWITCH



TERMINATION

1. ACTIVE 240AC BATTERY CHARGER
2. NEUTRAL 240VAC BATTERY CHARGER
3. GEN REMOTE START
4. GEN REMOTE START

WIRE COLOUR CODE

ALL 240VAC SUPPLY MUST BE AS FOLLOWS

L1 - RED
N - BLACK

240VAC CONTROL
L1 - RED
N - BLACK

DRY CONTACTS
GREY

CABLE WIRE SIZE 1.5MM SQ

REV.	DESCRIPTION	DATE	DESIGNED	DRAWN	ENG. CK	DWG. CK	APPD	CLIENT
C	REMOVE SHUNT TRIP	30.06.17	SB	SB	S.B.	S.B.	S.B.	
B	COMMON NEUTRAL	22.06.17	SB	SB	S.B.	S.B.	S.B.	
A	AS INSTALLED	31.05.17	SB	SB	S.B.	S.B.	S.B.	

W&C
WELLING & CROSSLEY PTY LTD
59 EXPORT DRIVE BROOKLYN VIC. 3012
1042 CANLEY VALE RD, WETHERILL PK NSW 2164
UNIT 5/235 CAMBOON RD MALAGA WA 6090
2/55 CHRISTENSEN RD STAPLTON QLD 4207
UNIT 19/547 INDUSTRY PARK,
547-593 WOOLCOCK ST, MT LOUISA QLD
EMAIL: wellcross@wellcross.com.au

DESIGNED:	S.B.	DATE:	30.06.17
DRAWN:	S.B.	DATE:	30.06.17
CHECKED:	S.B.	DATE:	30.06.17
APPROVED:	TL	DATE:	30.06.17
SCALE:	NO SCALE		
STATUS:			

DRAWING TITLE:
**ATS CONTROLLER 1 PHASE
ELECTRICAL SCHEMATIC**

HAT560NB

SHEET SIZE **A3** DRAWING No. **170321A** REVISION **C**