

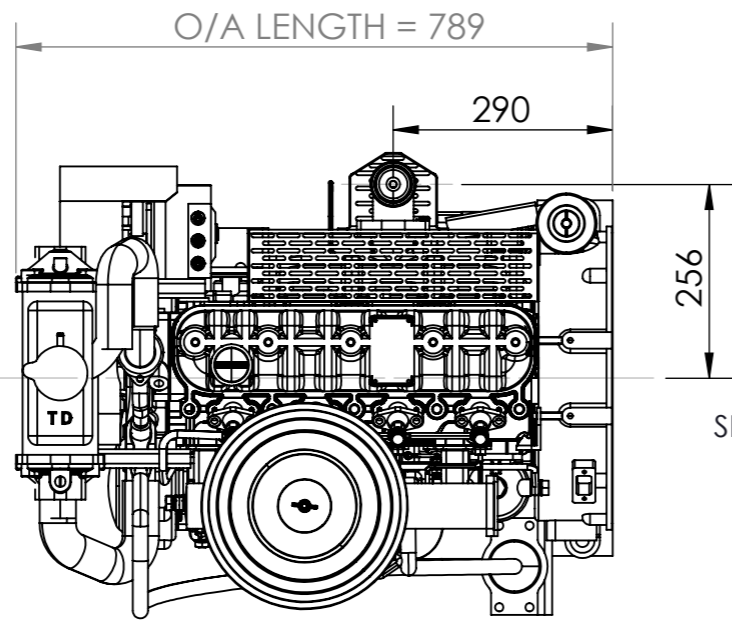
CAD FILE: F:\Users\Engineering\MECHANICAL DEPT\SUPPLIER DRGS\MOTORS\CROSSLEY\solidworks\485 HE\2020\20-485N-006

DO NOT SCALE OFF DRAWING. IF IN DOUBT ASK!

- NOTES:
1. REMOVE ALL BURRS, SHARP EDGES AND WELD SPLATTER
  2. ALL FLANGES TO BE FLAT, SQUARE AND PARALLEL



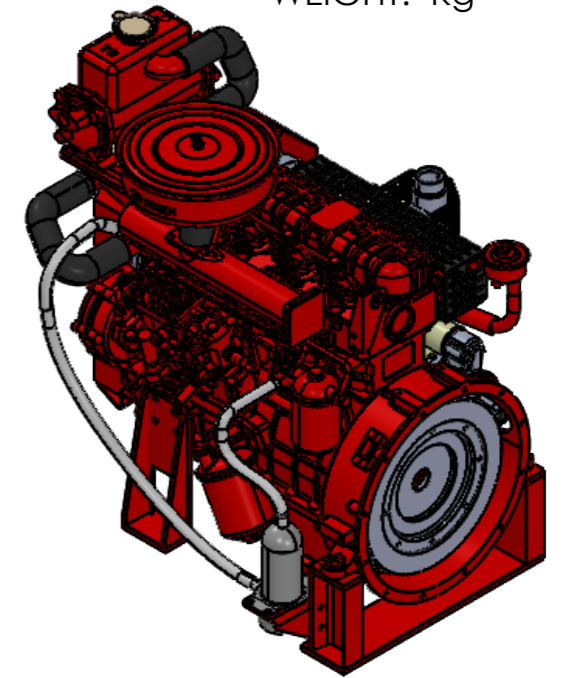
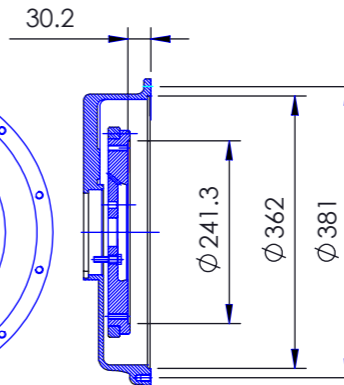
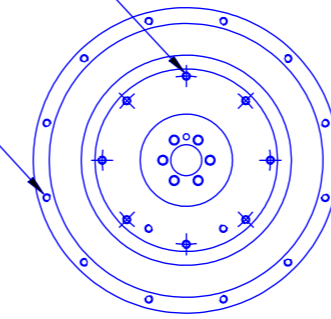
MUFFLER  
2" OD PIPES



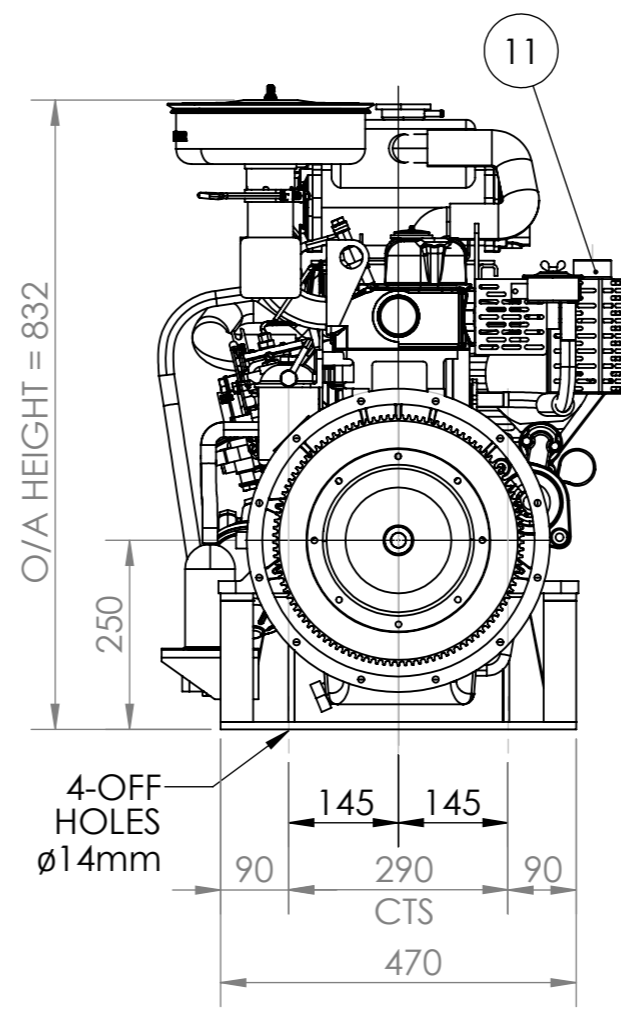
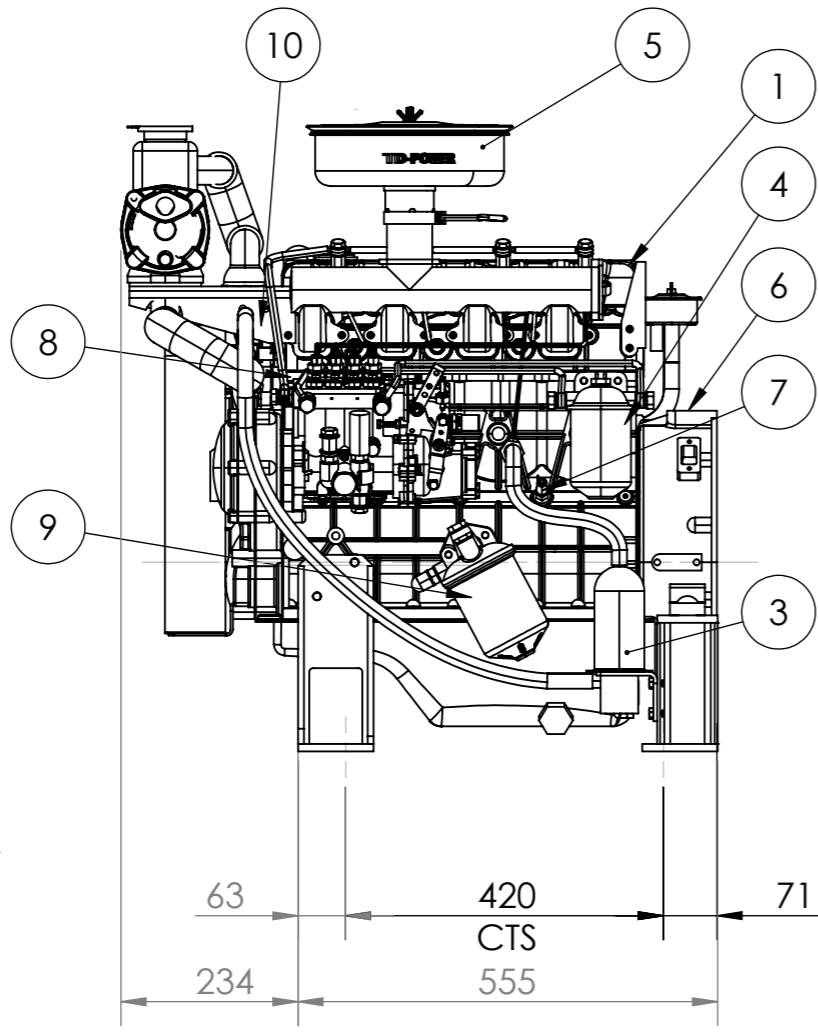
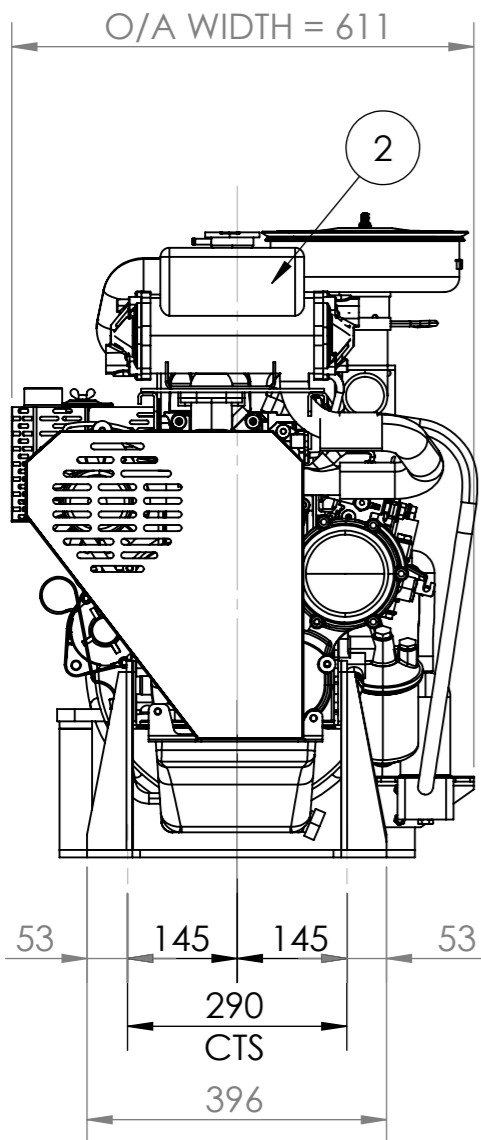
HOUSING:- SAE 4  
FLYWHEEL:- SAE 7 1/2

8-OFF EQUALLY SPACED M8 @ PCD Ø222.25

12-OFF EQUALLY SPACED M10 @ PCD Ø381.00



WEIGHT: Kg



**COOLING FLOW RATE**  
MINIMUM FLOW RATE REQUIRED IS 0.75 LITRE PER SECOND @ 20 Deg. HIGHER FLOW RATES ARE REQUIRED AT HIGHER TEMPERATURE. FAILURE TO PROVE THIS FLOW RATE WILL CAUSE PERMANENT ENGINE FAILURE WITHIN MINUTES OF RUNNING DIESEL ENGINE

**PAINTING / POWDERCOATING**  
ENGINE:- PAINTED SIGNAL RED  
FEET & SUPPORTS:- POWDER COATED SIGNAL RED  
HEAT EXCHANGER:- PAINTED SIGNAL RED  
MUFFLER:- HIGH TEMP SILVER

ITEM NO.	DESCRIPTION	QTY.
1	485 DIESEL ENGINE	1
2	HEAT EXCHANGER	1
3	JACKET HEATER	1
4	FUEL FILTER	1
5	AIR CLEANER	1
6	MAGNETIC SPEED PICKUP	1
7	OIL PRESSURE SENDER	1
8	FUEL SOLENOID	1
9	OIL FILTER	1
10	TEMP SENDER	1
11	WATER TRAP	1

REV.	DESCRIPTION	DRN	DATE	CHK.	DATE.	TOLERANCES	MATERIAL:
E	DRAWING REVISED TO LATEST ASSEMBLY	P.N.L.	09/12/2020	T.L.	09/12/2020	TO BE MODIFIED ON SW ONLY	
D	ENGINE FEET UPDATED (WERE CHANNEL)	P.S.M.	27/08/2017	P.N.L.	07/08/2017	DRAWN SCALE: 1:1	
C	REVISED ENGINE DRAWING	R.M.	27/11/2013	P.N.L.	27/11/2013	PLOT SCALE: 1:10 @ A3	SURFACE FINISH: SIGNAL RED
B	ISSUED FOR MANUFACTURE	R.M.	08/12/2013	P.N.L.	08/12/2013	ASSEMBLY DIMENSIONS ± 3 mm FABRICATED DIMENSIONS ± 2 mm MACHINING DIMENSIONS ± 0.125 mm UNLESS OTHERWISE SPECIFIED	MATERIAL: - MILD STEEL SHEET
A	ISSUED FOR APPROVAL	R.M.	08/12/2013	P.N.L.	08/12/2013		

**W&C**  
WELLING & CROSSLEY PTY LTD  
59 EXPORT DRIVE, BROOKLYN VIC 3012  
1042 CANLEY VALE RD, WETHERILL PK NSW 2164  
UNIT 5/235 CAMBOON RD, MALAGA WA 6090  
UNIT 2/255 CHRISTENSEN RD, STAPYLTON QLD 4207  
EMAIL: sales@wellcross.com.au

THIS DRAWING AND DESIGN REMAIN THE PROPERTY OF WELLING & CROSSLEY PTY. LTD. A.B.N. 61 005 690 273. THIS DRAWING AND DESIGN CAN NOT BE COPIED OR ALTERED IN ANY WAY WITHOUT PRIOR WRITTEN APPROVAL FROM WELLING & CROSSLEY PTY. LTD.  
THIS DRAWING AND ALL COPIES, HARD & SOFT MUST BE RETURNED TO WELLING & CROSSLEY PTY. LTD. UPON REQUEST FROM WELLING & CROSSLEY PTY. LTD.

TITLE: FIRE PUMP DIESEL ENGINE  
485 CROSSLEY HEAT EXCHANGER  
GENERAL ARRANGEMENT SHEET 1 OF 1  
DRG No: 20-485HX-006  
A3 REV E