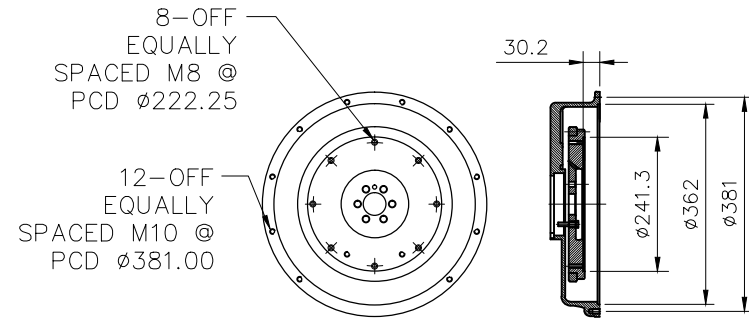
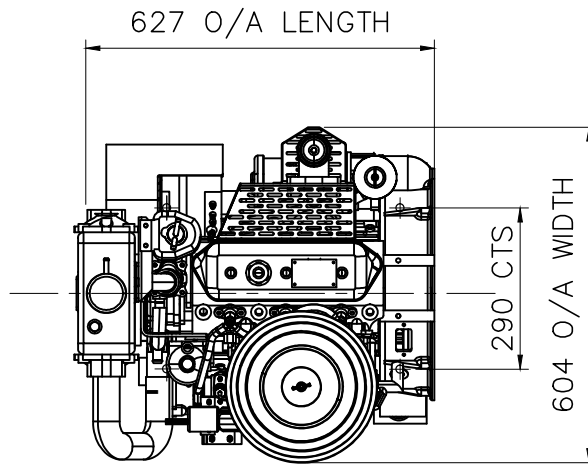
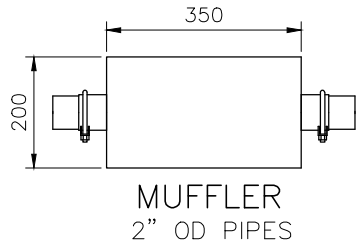
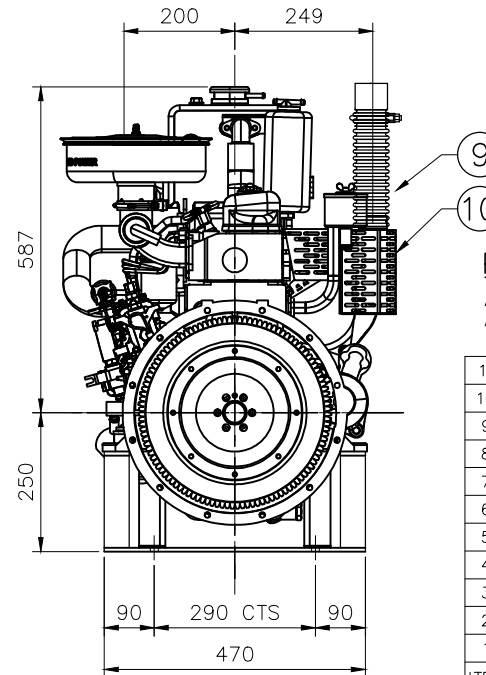
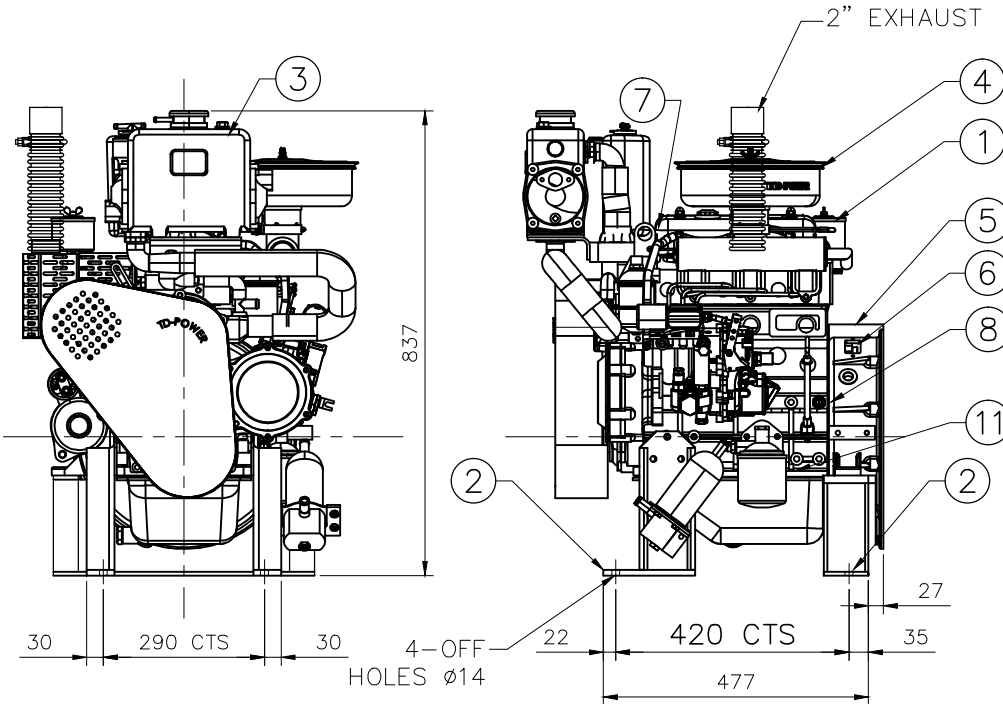


HOUSING SAE 4 & FLYWHEEL SAE 7 1/2



PAINTING / POWDERCOATING

ENGINE: - PAINTED SIGNAL RED
FEET & PANELS: - POWDER COATED
SIGNAL RED
HEAT EXCHANGER: - PAINTED SIGNAL RED
MUFFLER: - HIGH TEMP SILVER



PLEASE TAKE NOTE:

ALL CENTRE DISTANCES (CTS) TO BE MAINTAINED AS PER DRAWING SIZES.

ITEM	QTY	DESCRIPTION	W&C REF. No.	Wt. Kg.
11	1	OIL FILTER	W&C	-
10	1	WATER TRAP	W&C	-
9	1	EXHAUST FLEX.	W&C	-
8	1	OIL PRESSURE SENDER	VDO	-
7	1	TEMP SENDER	VDO	-
6	1	FUEL SOLENOID	W&C	-
5	1	MAGNETIC SPEED PICKUP	W&C	-
4	1	AIR CLEANER	W&C	-
3	1	HEAT EXCHANGER	100CH	-
2	1	SUPPORT FEET	W&C	-
1	1	380 DIESEL ENGINE	CROSSLEY	-

REV.	DESCRIPTION	DRN	DATE	CHK.	DATE.
-	-	-	-	-	-
-	-	-	-	-	-
C	GENERAL ASSEMBLY REVISED & UPDATED	P.N.L.	05.07.19	T.L.	05.07.19
B	ISSUED FOR MANUFACTURE	R.M.	18.06.13	P.N.L.	18.06.13
A	ISSUED FOR APPROVAL	R.M.	18.06.13	P.N.L.	18.06.13

TO BE MODIFIED ON CAD ONLY
SCALE :1:10
PLOT SCALE :1:10 @ A3

DRN. R.M. 18.06.13
CHK. P.N.L. 18.06.13
ENG. P.N.L. 18.06.13
APP. T.L. 18.06.13

W&C
WELLING & CROSSLEY PTY LTD
50-58 NEW STREET STH KINGSVILLE VIC. 3015
2/6-8 ALLEN PLACE WETHERILL PK NSW 2164
5/235 CAMBOON RD MALAGA WA 6090
11/1909 IPSWICH ROCKLEA QLD 4106
EMAIL: wellcross@wellcross.com.au

THIS DRAWING AND DESIGN REMAIN THE PROPERTY OF WELLING & CROSSLEY PTY. LTD. A.B.N. 61 005 690 273. THIS DRAWING AND DESIGN CAN NOT BE COPIED OR ALTERED IN ANY WAY WITHOUT PRIOR WRITTEN APPROVAL FROM WELLING & CROSSLEY PTY. LTD. THIS DRAWING AND ALL COPIES, HARD & SOFT MUST BE RETURNED TO WELLING & CROSSLEY PTY. LTD. UPON REQUEST FROM WELLING & CROSSLEY PTY. LTD.

TITLE : FIRE PUMP DIESEL ENGINE
380 CROSSLEY HEAT EXCHANGER
GENERAL ARRANGEMENT

DRG No: 20-380N-006

A3 REV C