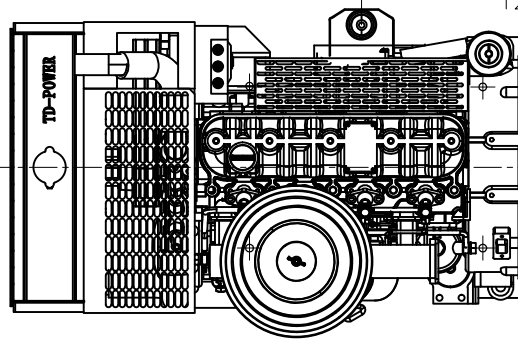
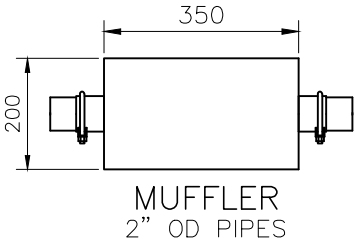


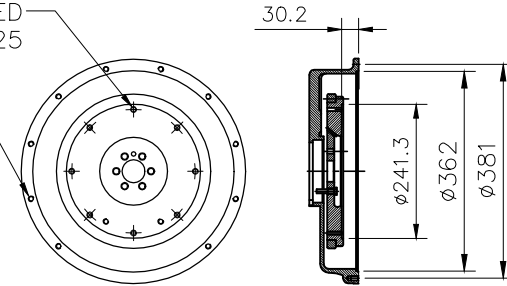
**PAINTING /  
POWDERCOATING**

ENGINE: - PAINTED SIGNAL RED  
 FEET: - POWDER COATED  
 SIGNAL RED  
 RADIATOR: - POWDER COATED  
 SEMIGLOSS BLACK  
 MUFFLER: - HIGH TEMP SILVER



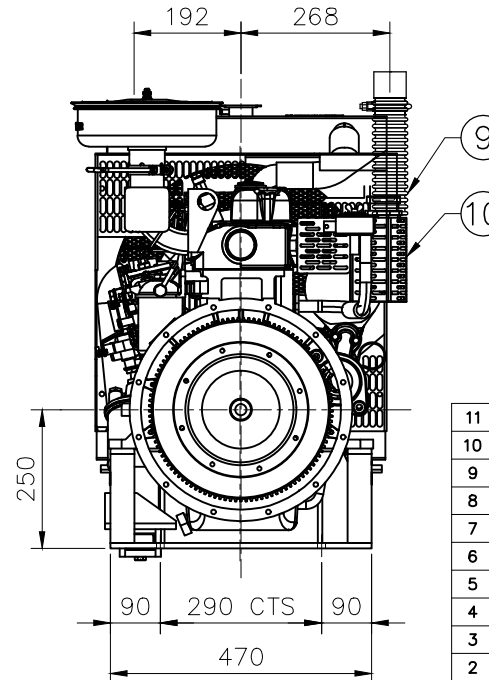
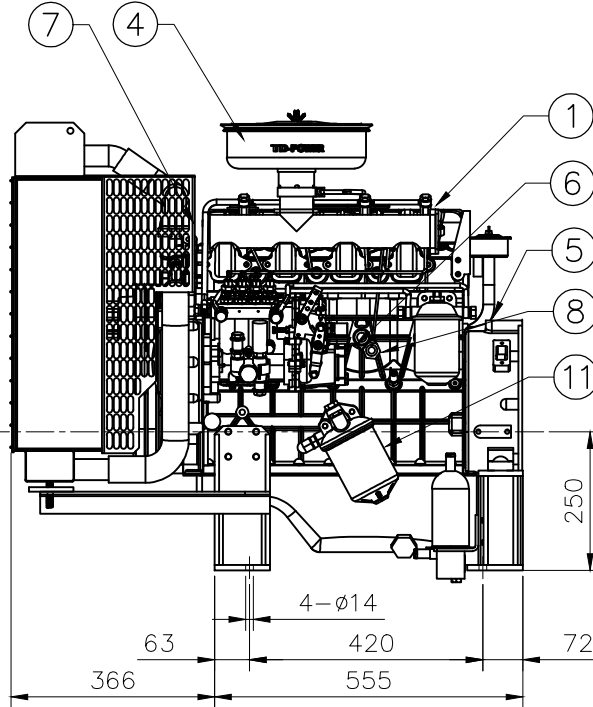
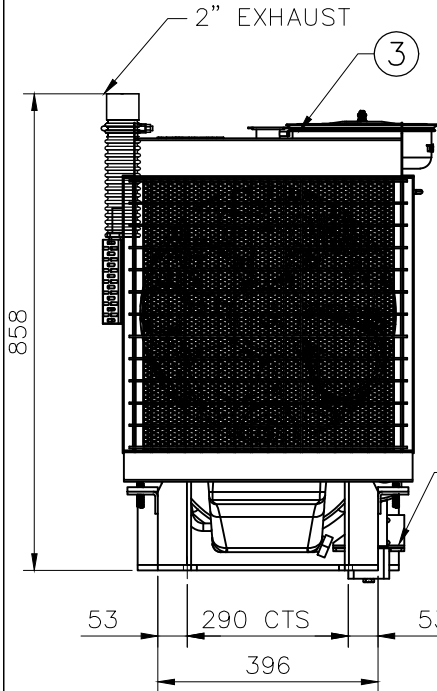
8-OFF EQUALLY SPACED  
M8 @ PCD  $\varnothing$ 222.25

12-OFF EQUALLY SPACED  
M10 @ PCD  $\varnothing$ 381.00



HOUSING SAE 4  
& FLYWHEEL SAE 7 1/2

**OIL SUMP PLUG**  
 IS LOCATED FLUSH WITH  
 SUMP BOTTOM.  
 LUBE OIL MUST BE DRAINED  
 THROUGH DIPSTICK HOLE  
 ALTERNATELY DRAIN TO BE  
 EXTENDED BY PUMP  
 PACKAGER



**ELECTRICAL SYSTEM**  
 12 VOLT NEGATIVE EARTH  
 COLD CRANKING AMPS 300  
 FLYWHEEL TEETH  
 VDO OIL & TEMP SENDERS  
 ARE FITTED  
 OIL PRESSURE 1000Kpa  
 WATER TEMP 120°C

TOTAL WEIGHT = 300 Kg.

ITEM	QTY	DESCRIPTION	W&C REF. No.	Wt. Kg.
11	1	OIL FILTER	W&C	-
10	1	WATER TRAP	W&C	-
9	1	EXHAUST FLEX.	W&C	-
8	1	OIL PRESSURE SENDER	VDO	-
7	1	TEMP SENDER	VDO	-
6	1	FUEL SOLENOID	W&C	-
5	1	MAGNETIC SPEED PICKUP	W&C	-
4	1	AIR CLEANER	W&C	-
3	1	RADIATOR	W&C	-
2	1	SUPPORT FEET & PANELS	W&C	-
1	1	485 DIESEL ENGINE	CROSSLEY	-

REV.	DESCRIPTION	DRN	DATE	CHK.	DATE.
-	-	-	-	-	-
-	-	-	-	-	-
C	DRAWING REVISED & REDRAWN	P.N.L.	05.07.18	T.L.	05.07.18
B	ISSUED FOR MANUFACTURE	R.M.	03.06.13	P.N.L.	03.06.13
A	ISSUED FOR APPROVAL	R.M.	03.06.13	P.N.L.	03.06.13

TO BE MODIFIED ON CAD ONLY  
 SCALE :1:10  
 PLOT SCALE :1:10 @ A3

**W&C**  
**WELLING & CROSSLEY PTY LTD**  
 59 EXPORT DRIVE BROOKLYN VIC. 3012  
 UNIT 2/1040 WETHERILL PK NSW 2164  
 UNIT 5/235 CAMBOON RD MALAGA WA 6090  
 UNIT 11/1909 IPSWICH ROCKLEA QLD 4106  
 EMAIL: wellcross@wellcross.com.au

THIS DRAWING AND DESIGN REMAIN THE PROPERTY OF  
 WELLING & CROSSLEY PTY. LTD. A.B.N. 61 005 690 273.  
 THIS DRAWING AND DESIGN CAN NOT BE COPIED OR  
 ALTERED IN ANY WAY WITHOUT PRIOR WRITTEN  
 APPROVAL FROM WELLING & CROSSLEY PTY. LTD.  
 THIS DRAWING AND ALL COPIES, HARD & SOFT MUST BE  
 RETURNED TO WELLING & CROSSLEY PTY. LTD. UPON  
 REQUEST FROM WELLING & CROSSLEY PTY. LTD.

TITLE : FIRE PUMP DIESEL ENGINE  
 485R CROSSLEY RADIATOR  
 GENERAL ARRANGEMENT

DRG No: 20-485N-007

REV C