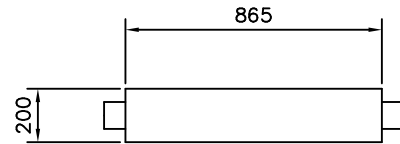


ELECTRICAL SYSTEM

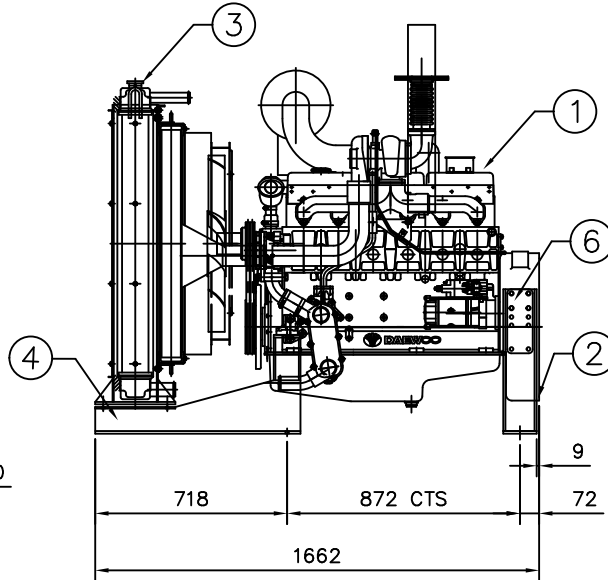
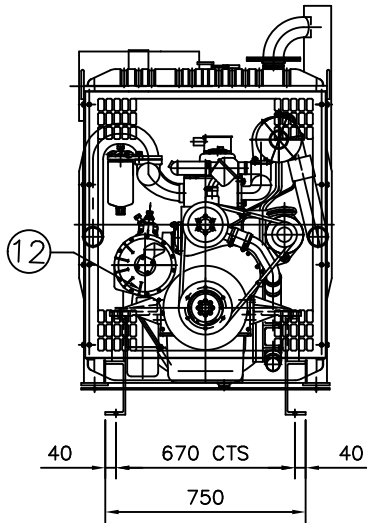
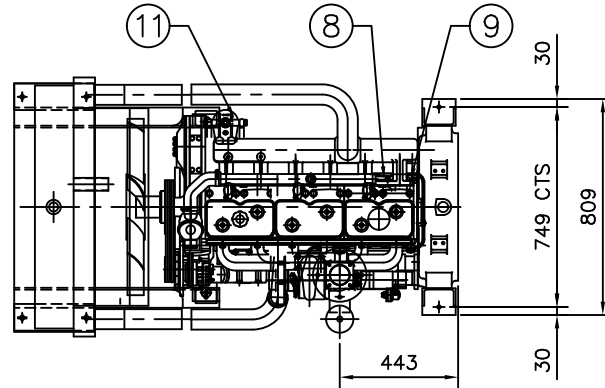
24 VOLT NEGATIVE EARTH
 COLD CRANKING AMPS 500
 FLYWHEEL MAGNATIC PICK-UP
 VDO OIL & TEMP SENDERS
 ARE FITTED
 OIL PRESSURE 1000Kpa
 WATER TEMP 120°C

PAINTING / POWDERCOATING

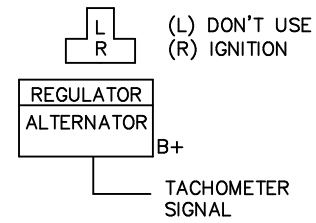
ENGINE:- PAINTED SIGNAL RED
 FEET:- POWDER COATED
 SIGNAL RED
 RADIATOR:- SEMIGLOSS BLACK
 MUFFLER:- HIGH TEMP SILVER



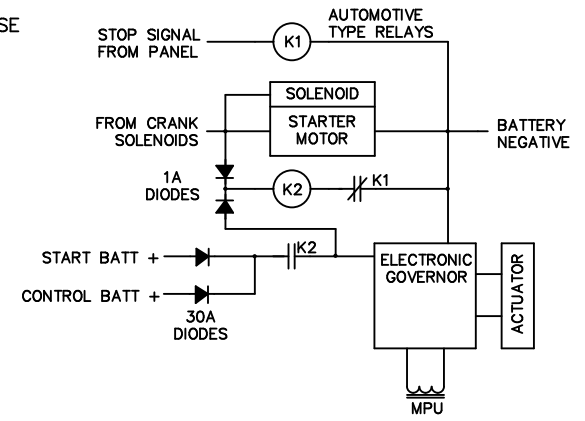
MUFFLER 4" OD EA END



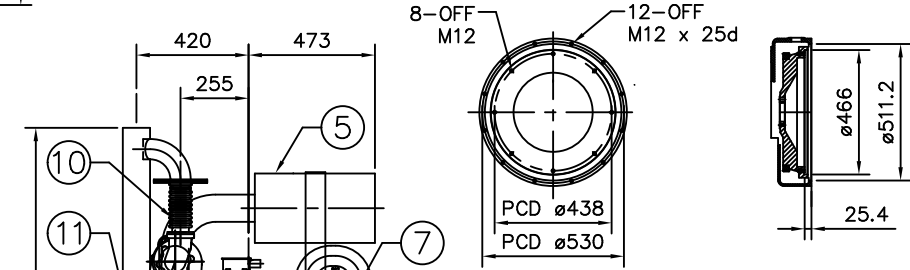
ALTERNATOR WIRING



SUGGESTED GOVERNOR WIRING



BELL HOUSING SAE 1
 FLYWHEEL SAE 14



TOTAL WEIGHT = 950 Kg.

ITEM	QTY	DESCRIPTION	W&C REF. No.	Wt. Kg.
12	1	OIL FILTER	DAEWOO	-
11	1	WATER TRAP	W&C	-
10	1	EXHAUST FLEX.	W&C	-
9	1	OIL PRESSURE SENDER	VDO	-
8	1	TEMP SENDER	VDO	-
7	1	FUEL SOLENOID	W&C	-
6	1	MAGNETIC SPEED PICKUP	DAEWOO	-
5	1	AIR CLEANER	DAEWOO	-
4	1	RADIATOR FEET SUPPORT	W&C	-
3	1	RADIATOR	DAEWOO	-
2	1	REAR FEET SUPPORT	W&C	-
1	1	PO86TI DIESEL ENGINE	DAEWOO	-

REV.	DESCRIPTION	DRN	DATE	CHK.	DATE	TOLERANCES
-	-	-	-	-	-	TO BE MODIFIED ON CAD ONLY
-	-	-	-	-	-	SCALE :1:20
-	-	-	-	-	-	PLOT SCALE :1:20 @ A3
B	ISSUED FOR MANUFACTURE	P.N.L.	30.07.12	S.O.	30.07.12	FABRICATED DIMENSIONS ± 2 mm
A	ISSUED FOR APPROVAL	P.N.L.	30.07.12	S.O.	30.07.12	MACHINING DIMENSIONS ± 0.125 mm
REV.	DESCRIPTION	DRN	DATE	CHK.	DATE.	UNLESS OTHERWISE SPECIFIED

W&C
 WELLING & CROSSLEY PTY LTD
 59 EXPORT DRIVE BROOKLYN VIC. 3012
 UNIT 2/1040 WETHERILL PK NSW 2164
 UNIT 5/235 CAMBOON RD MALAGA WA 6090
 UNIT 11/1909 IPSWICH ROCKLEA QLD 4106
 EMAIL: wellcross@wellcross.com.au

CLIENT : -

 THIS DRAWING AND DESIGN REMAIN THE PROPERTY OF WELLING & CROSSLEY PTY. LTD. A.B.N. 61 005 690 273. THIS DRAWING AND DESIGN CAN NOT BE COPIED OR ALTERED IN ANY WAY WITHOUT PRIOR WRITTEN APPROVAL FROM WELLING & CROSSLEY PTY. LTD. THIS DRAWING AND ALL COPIES, HARD & SOFT MUST BE RETURNED TO WELLING & CROSSLEY PTY. LTD. UPON REQUEST FROM WELLING & CROSSLEY PTY. LTD.

TITLE : FIRE ENGINE - CROSSLEY
 PT86TI/S RADIATOR
 GENERAL ARRANGEMENT
 DRG No: 20-PT86TI-007 A3 REV B