

ELECTRICAL SYSTEM

24 VOLT NEGATIVE EARTH
 COLD CRANKING AMPS 500
 FLYWHEEL MAGNATIC PICK-UP
 VDO OIL & TEMP SENDERS
 ARE FITTED
 OIL PRESSURE 1000Kpa
 WATER TEMP 120°C

TABLE 'A'		
ENGINE TYPE	PO86TI	PO86TIS
WATER FLOW RATE (L/SEC)	3.0	3.5

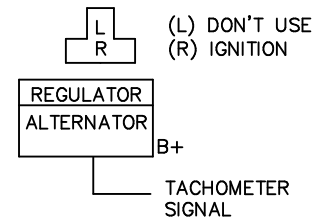
PAINTING / POWDERCOATING

ENGINE:- PAINTED SIGNAL RED
 FEET & PANELS:- POWDER COATED
 SIGNAL RED
 HEAT EXCHANGER:- PAINTED SIGNAL RED
 MUFFLER:- HIGH TEMP SILVER

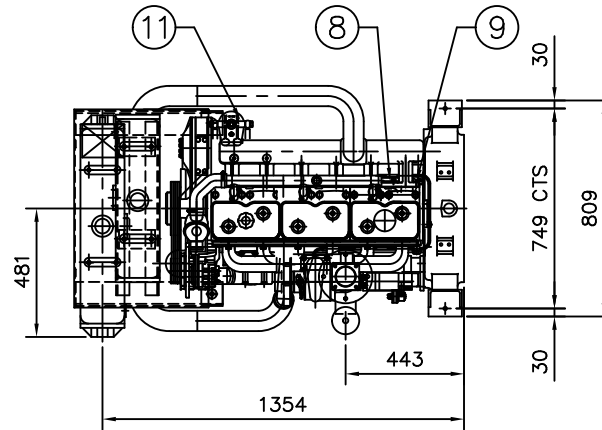
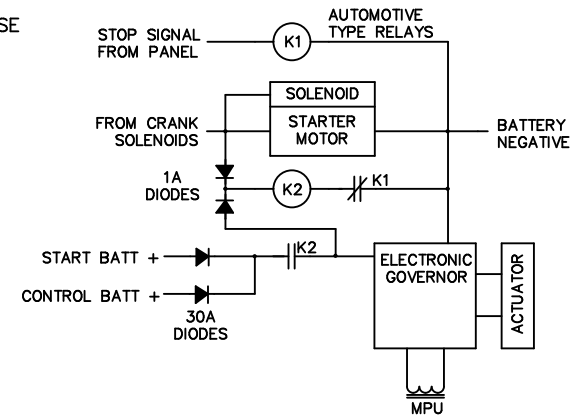
COOLING WATER FLOW RATE

MINIMUM FLOW RATE IS
 TABLE 'A' PER SECOND @ 20'.
 HIGHER FLOW RATES ARE REQUIRED
 AT HIGHER TEMPERATURES.
 FAILURE TO PROVE THIS FLOW
 RATE WILL CAUSE PERMANENT ENGINE
 FAILURE WITHIN MINUTES OF RUNNING
 THE DEISEL ENGINE

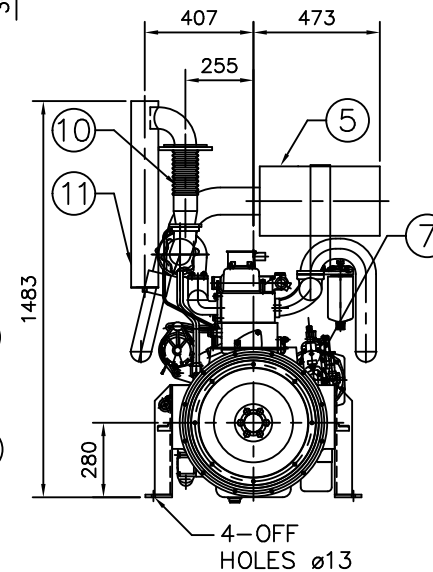
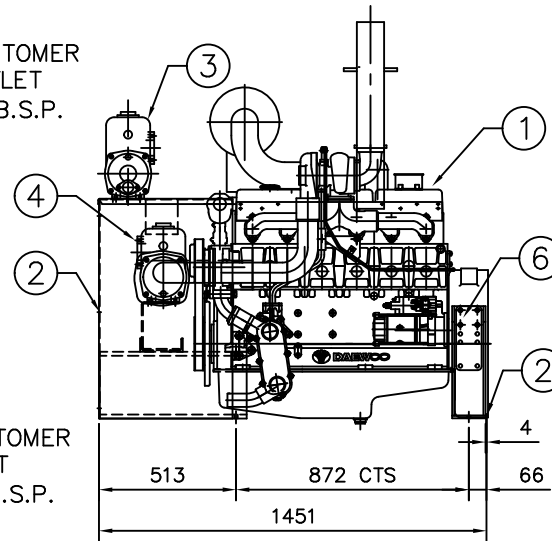
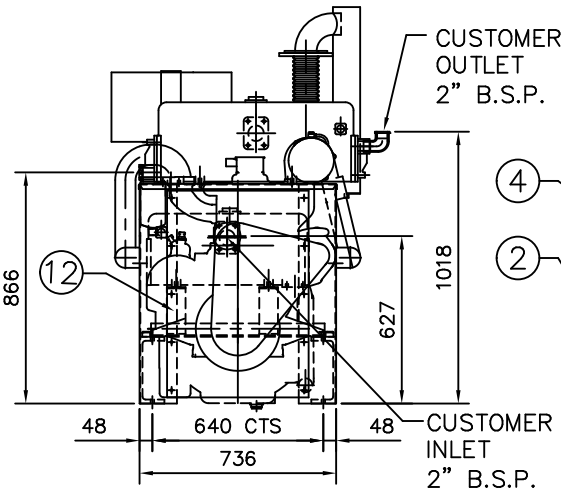
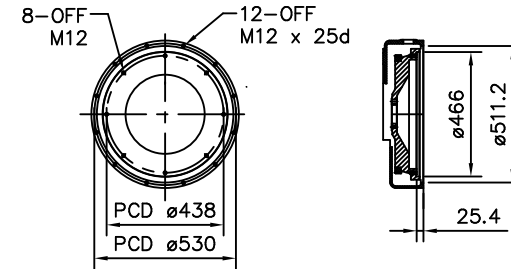
ALTERNATOR WIRING



SUGGESTED GOVERNOR WIRING



BELL HOUSING SAE 1 FLYWHEEL SAE 14



TOTAL WEIGHT = 950 Kg.

ITEM	QTY	DESCRIPTION	W&C REF. No.	Wt. Kg.
12	1	OIL FILTER	DAEWOO	-
11	1	WATER TRAP	W&C	-
10	1	EXHAUST FLEX.	W&C	-
9	1	OIL PRESSURE SENDER	VDO	-
8	1	TEMP SENDER	VDO	-
7	1	FUEL SOLENOID	W&C	-
6	1	MAGNETIC SPEED PICKUP	DAEWOO	-
5	1	AIR CLEANER	DAEWOO	-
4	1	INTER COOLER	400CH	-
3	1	HEAT EXCHANGER	700CH	-
2	1	SUPPORT FEET & PANELS	W&C	-
1	1	PO86TI DIESEL ENGINE	DAEWOO	-

REV.	DESCRIPTION	DRN	DATE	CHK.	DATE.	TOLERANCES
-	-	-	-	-	-	TO BE MODIFIED ON CAD ONLY
-	-	-	-	-	-	SCALE :1:20
-	-	-	-	-	-	PLOT SCALE :1:20 @ A3
B	ISSUED FOR MANUFACTURE	P.N.L.	30.07.12	S.O.	30.07.12	FABRICATED DIMENSIONS ± 2 mm
A	ISSUED FOR APPROVAL	P.N.L.	30.07.12	S.O.	30.07.12	MACHINING DIMENSIONS ± 0.125 mm
REV.	DESCRIPTION	DRN	DATE	CHK.	DATE.	UNLESS OTHERWISE SPECIFIED

W&C
 WELLING & CROSSLEY PTY LTD
 59 EXPORT DRIVE BROOKLYN VIC. 3012
 UNIT 2/1040 WETHERILL PK NSW 2164
 UNIT 5/235 CAMBOON RD MALAGA WA 6090
 UNIT 11/1909 IPSWICH ROCKLEA QLD 4106
 EMAIL: wellcross@wellcross.com.au

CLIENT : -

 THIS DRAWING AND DESIGN REMAIN THE PROPERTY OF WELLING & CROSSLEY PTY. LTD. A.B.N. 61 005 690 273. THIS DRAWING AND DESIGN CAN NOT BE COPIED OR ALTERED IN ANY WAY WITHOUT PRIOR WRITTEN APPROVAL FROM WELLING & CROSSLEY PTY. LTD. THIS DRAWING AND ALL COPIES, HARD & SOFT MUST BE RETURNED TO WELLING & CROSSLEY PTY. LTD. UPON REQUEST FROM WELLING & CROSSLEY PTY. LTD.

TITLE : FIRE ENGINE -CROSSLEY PT86TI/S HEAT EXCHANGER GENERAL ARRANGEMENT
 DRG No: 20-PT86TI-006 A3 REV B