

### ELECTRICAL SYSTEM

24 VOLT NEGATIVE EARTH  
 COLD CRANKING AMPS 500  
 FLYWHEEL MAGNATIC PICK-UP  
 VDO OIL & TEMP SENDERS  
 ARE FITTED  
 OIL PRESSURE 1000Kpa  
 WATER TEMP 120°C

TABLE 'A'		
ENGINE TYPE	P086TI	P086TIS
WATER FLOW RATE (L/SEC)	3.0	3.5

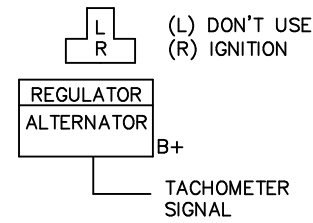
### PAINTING / POWDERCOATING

ENGINE:- PAINTED SIGNAL RED  
 FEET & PANELS:- POWDER COATED  
 SIGNAL RED  
 HEAT EXCHANGER:- PAINTED SIGNAL RED  
 MUFFLER:- HIGH TEMP SILVER

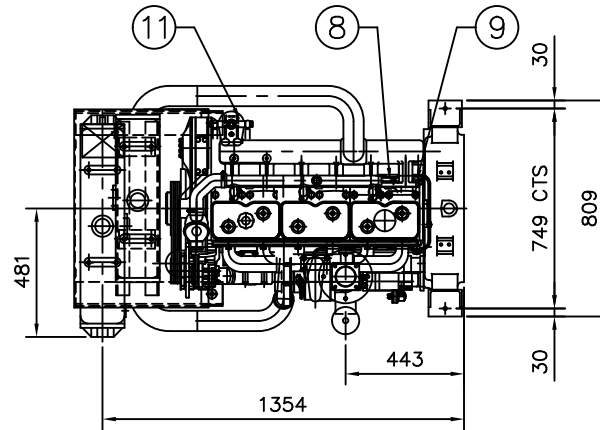
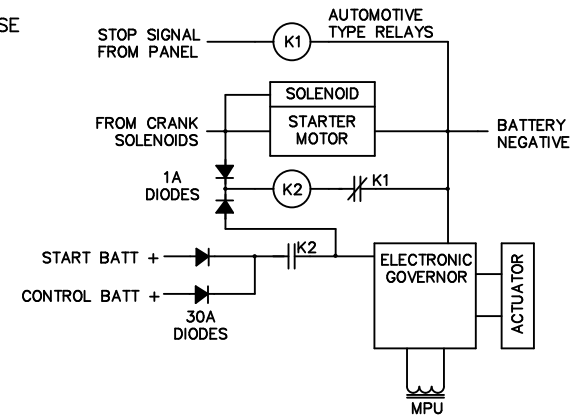
### COOLING WATER FLOW RATE

MINIMUM FLOW RATE IS  
 TABLE 'A' PER SECOND @ 20'.  
 HIGHER FLOW RATES ARE REQUIRED  
 AT HIGHER TEMPERATURES.  
 FAILURE TO PROVE THIS FLOW  
 RATE WILL CAUSE PERMANENT ENGINE  
 FAILURE WITHIN MINUTES OF RUNNING  
 THE DEISEL ENGINE

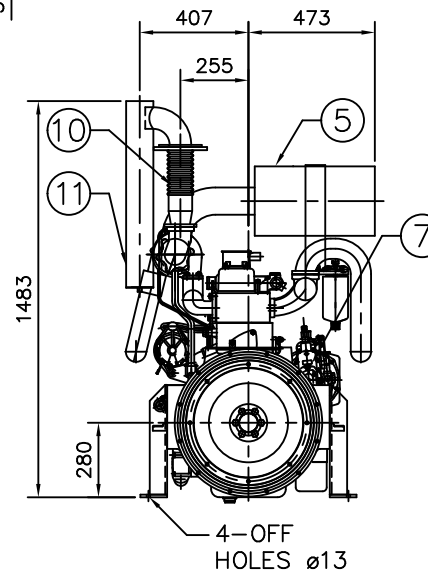
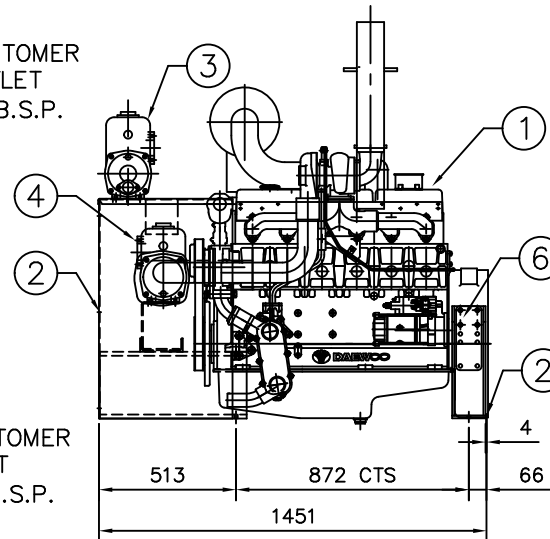
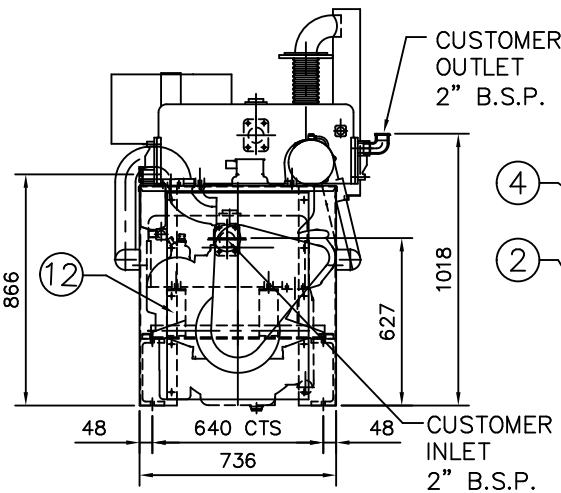
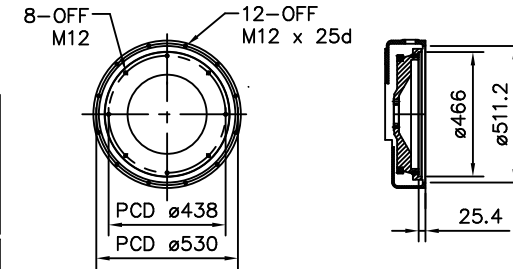
### ALTERNATOR WIRING



### SUGGESTED GOVERNOR WIRING



### BELL HOUSING SAE 1 FLYWHEEL SAE 14



TOTAL WEIGHT = 950 Kg.

ITEM	QTY	DESCRIPTION	W&C REF. No.	Wt. Kg.
12	1	OIL FILTER	DAEWOO	-
11	1	WATER TRAP	W&C	-
10	1	EXHAUST FLEX.	W&C	-
9	1	OIL PRESSURE SENDER	VDO	-
8	1	TEMP SENDER	VDO	-
7	1	FUEL SOLENOID	W&C	-
6	1	MAGNETIC SPEED PICKUP	DAEWOO	-
5	1	AIR CLEANER	DAEWOO	-
4	1	INTER COOLER	400CH	-
3	1	HEAT EXCHANGER	700CH	-
2	1	SUPPORT FEET & PANELS	W&C	-
1	1	P086TI DIESEL ENGINE	DAEWOO	-

REV.	DESCRIPTION	DRN	DATE	CHK.	DATE.	TOLERANCES
-	-	-	-	-	-	TO BE MODIFIED ON CAD ONLY
-	-	-	-	-	-	SCALE :1:20
-	-	-	-	-	-	PLOT SCALE :1:20 @ A3
B	ISSUED FOR MANUFACTURE	P.N.L.	30.07.12	S.O.	30.07.12	FABRICATED DIMENSIONS ± 2 mm
A	ISSUED FOR APPROVAL	P.N.L.	30.07.12	S.O.	30.07.12	MACHINING DIMENSIONS ± 0.125 mm
REV.	DESCRIPTION	DRN	DATE	CHK.	DATE.	UNLESS OTHERWISE SPECIFIED

**W&C**  
 WELLING & CROSSLEY PTY LTD  
 59 EXPORT DRIVE BROOKLYN VIC. 3012  
 UNIT 2/1040 WETHERILL PK NSW 2164  
 UNIT 5/235 CAMBOON RD MALAGA WA 6090  
 UNIT 11/1909 IPSWICH ROCKLEA QLD 4106  
 EMAIL: wellcross@wellcross.com.au

CLIENT : -  
  
 THIS DRAWING AND DESIGN REMAIN THE PROPERTY OF WELLING & CROSSLEY PTY. LTD. A.B.N. 61 005 690 273. THIS DRAWING AND DESIGN CAN NOT BE COPIED OR ALTERED IN ANY WAY WITHOUT PRIOR WRITTEN APPROVAL FROM WELLING & CROSSLEY PTY. LTD. THIS DRAWING AND ALL COPIES, HARD & SOFT MUST BE RETURNED TO WELLING & CROSSLEY PTY. LTD. UPON REQUEST FROM WELLING & CROSSLEY PTY. LTD.

TITLE : FIRE ENGINE -CROSSLEY P086TI/S HEAT EXCHANGER GENERAL ARRANGEMENT  
 DRG No: 20-P086TI-006 A3 REV B