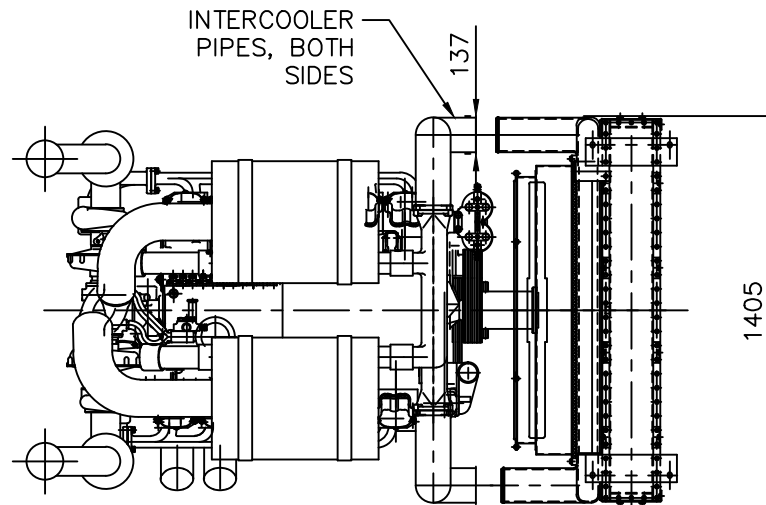


BELL HOUSING & FLY WHEEL DETAILS



DRAWING IS TYPICAL FOR DIMENSIONS

ITEM	QTY	DESCRIPTION	W&C REF. No.	Wt. Kg.
8	2	REAR SUPPORT FEET	-	-
7	2	FRONT SUPPORT FEET	-	-
6	-	-	-	-
5	2	WATER TRAP	-	-
4	2	AIR FILTER	-	-
3	-	-	-	-
2	1	RADIATOR	-	-
1	1	V12 DIESEL 222LE	-	-

REV.	DESCRIPTION	DRN	DATE	CHK.	DATE.
-	-	-	-	-	-
-	-	-	-	-	-
-	-	-	-	-	-
-	-	-	-	-	-
A	ISSUED FOR INFORMATION	P.N.L.	31.07.06	R.D.	31.07.06

TO BE MODIFIED ON CAD ONLY
 SCALE : 1:20
 PLOT SCALE : 1:20 @ A3

W&C
WELLING & CROSSLEY PTY LTD
 50-58 NEW STREET STH KINGSVILLE VIC. 3015
 2/6-8 ALLEN PLACE WETHERILL PK NSW 2164
 5/235 CAMBORN RD MALAGA WA 6090
 11/1909 IPSWICH ROCKLEA QLD 4106
 EMAIL: wellcross@wellcross.com.au

CLIENT : -

THIS DRAWING AND DESIGN REMAIN THE PROPERTY OF WELLING & CROSSLEY PTY. LTD. A.B.N. 61 005 690 273. THIS DRAWING AND DESIGN CAN NOT BE COPIED OR ALTERED IN ANY WAY WITHOUT PRIOR WRITTEN APPROVAL FROM WELLING & CROSSLEY PTY. LTD. THIS DRAWING AND ALL COPIES, HARD & SOFT MUST BE RETURNED TO WELLING & CROSSLEY PTY. LTD. UPON REQUEST FROM WELLING & CROSSLEY PTY. LTD.

DRG No:	REV
20-P222L-007	A