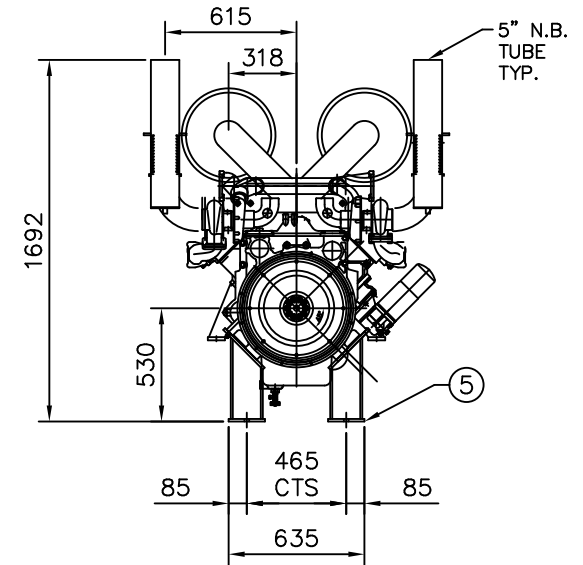
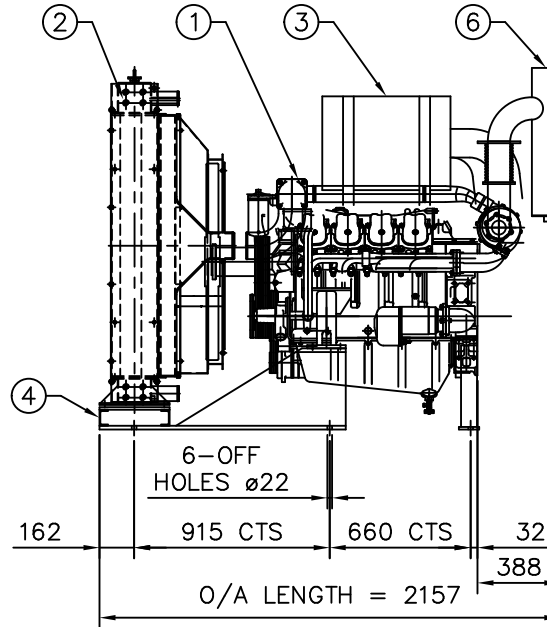
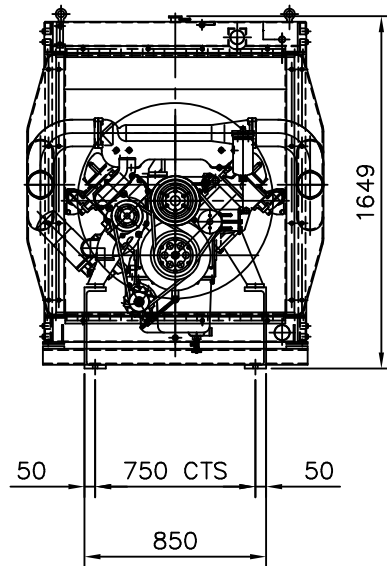
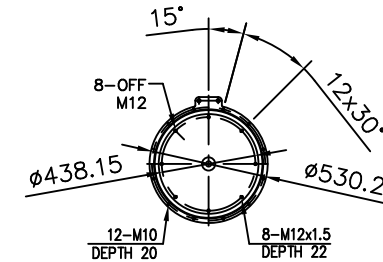
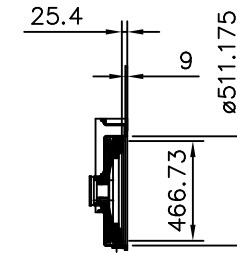
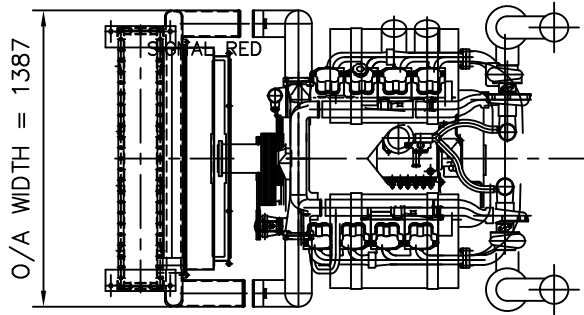


**PAINTING /
POWDERCOATING**

ENGINE: - PAINTED SIGNAL RED
 FEET & SUPPORTS: - POWDER COATED
 MUFFLER: - HIGH TEMP BLACK

**BELL HOUSING SAE 1
FLYWHEEL SAE 14**



ITEM	QTY	DESCRIPTION	W&C REF. No.	Wt. Kg.
6	2	WATER TRAP	W&C	-
5	2	REAR FEET	W&C	-
4	1	ENG/RADIATOR SUPPORT	W&C	-
3	2	AIR FILTER	DAEWOO	-
2	1	P158LE DIESEL ENGINE	DAEWOO	-
1	1	P158LE DIESEL ENGINE	DAEWOO	-

REV.	DESCRIPTION	DRN	DATE	CHK.	DATE.
-	-	-	-	-	-
-	-	-	-	-	-
-	-	-	-	-	-
B	ISSUED FOR MANUFACTURE	P.N.L.	30.07.12	C.M.	30.07.12
A	ISSUED FOR APPROVAL	P.N.L.	30.07.12	C.M.	30.07.12

W&C
WELLING & CROSSLEY PTY LTD
 59 EXPORT DRIVE BROOKLYN VIC. 3012
 UNIT 2/1040 WETHERILL PK NSW 2164
 UNIT 5/235 CAMBOON RD MALAGA WA 6090
 UNIT 11/1909 IPSWICH ROCKLEA QLD 4106
 EMAIL: wellcross@wellcross.com.au

CLIENT : -

THIS DRAWING AND DESIGN REMAIN THE PROPERTY OF WELLING & CROSSLEY PTY. LTD. A.B.N. 61 005 690 273. THIS DRAWING AND DESIGN CAN NOT BE COPIED OR ALTERED IN ANY WAY WITHOUT PRIOR WRITTEN APPROVAL FROM WELLING & CROSSLEY PTY. LTD. THIS DRAWING AND ALL COPIES, HARD & SOFT MUST BE RETURNED TO WELLING & CROSSLEY PTY. LTD. UPON REQUEST FROM WELLING & CROSSLEY PTY. LTD.

TITLE : FIRE ENGINE - DAEWOO
 P158LE/S RADIATOR
 GENERAL ARRANGEMENT

DRG No: 20-P158LE-007

REV B