

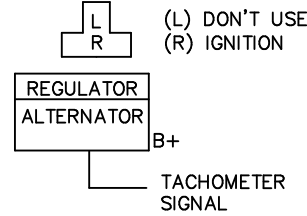
ELECTRICAL SYSTEM

24 VOLT NEGATIVE EARTH
 COLD CRANKING AMPS 500
 FLYWHEEL MAGNATIC PICK-UP
 VDO OIL & TEMP SENDERS
 ARE FITTED
 OIL PRESSURE 1000kpa
 WATER TEMP 120°C

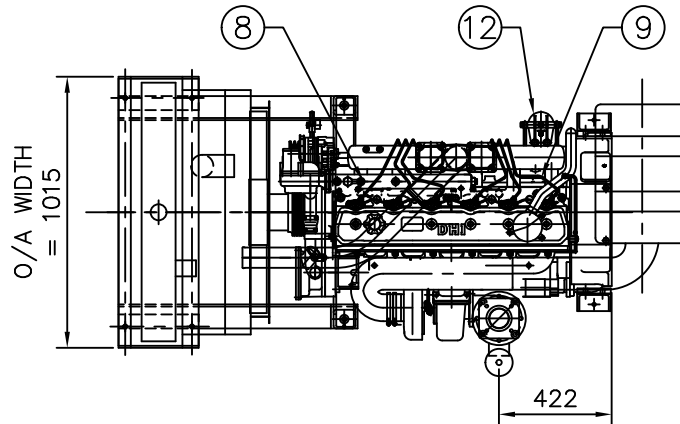
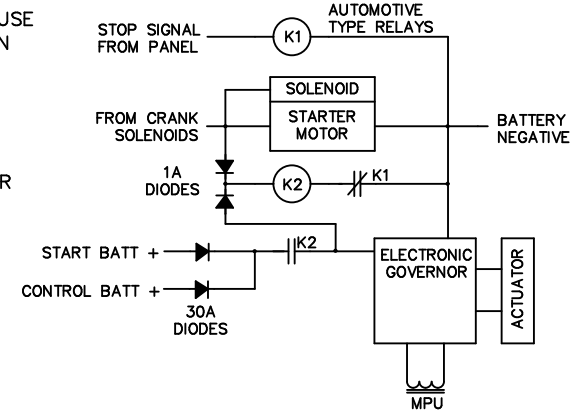
PAINTING / POWDERCOATING

ENGINE: - PAINTED SIGNAL RED
 FEET: - POWDER COATED
 SIGNAL RED
 RADIATOR: - POWDER COATED
 SEMIGLOSS BLACK
 MUFFLER: - HIGH TEMP SILVER

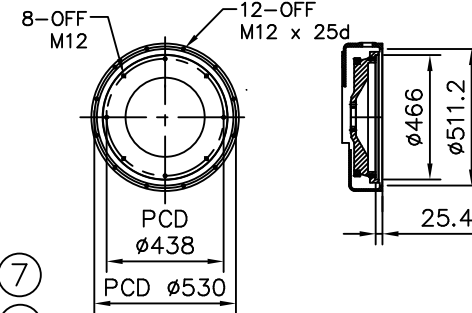
ALTERNATOR WIRING



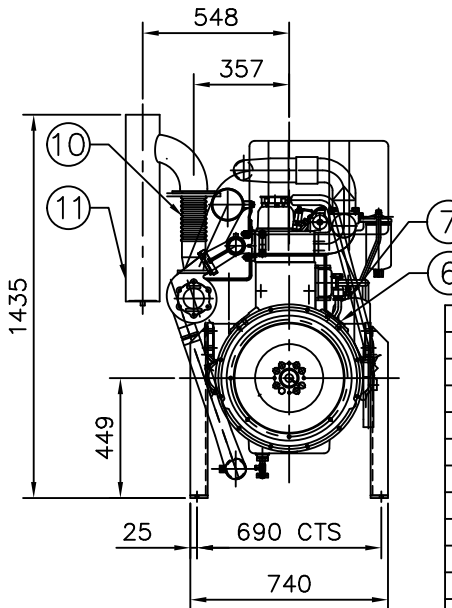
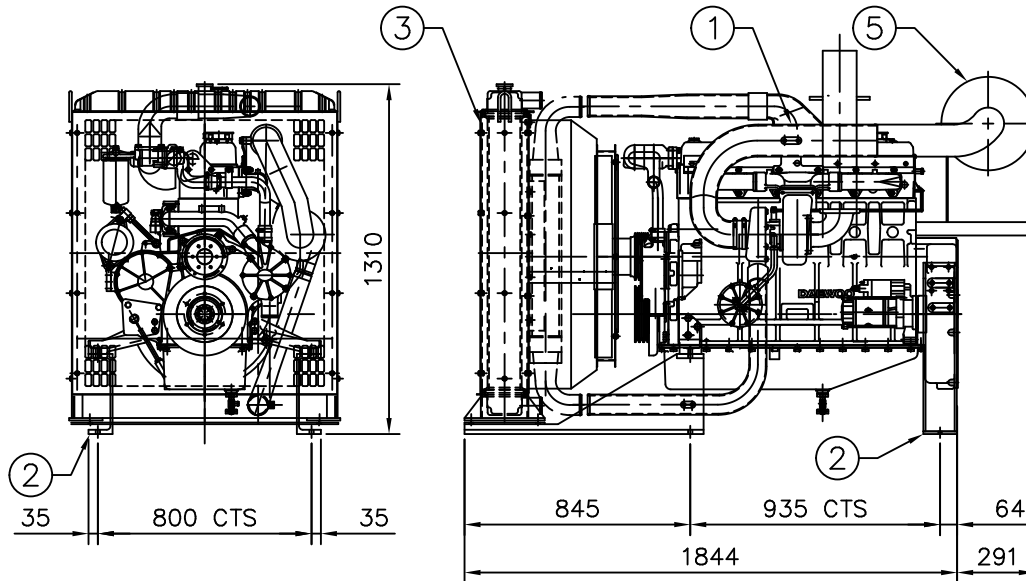
SUGGESTED GOVERNOR WIRING



BELL HOUSING SAE 1 FLYWHEEL SAE 14



TOTAL WEIGHT = 1000 Kg.



ITEM	QTY	DESCRIPTION	W&C REF. No.	Wt. Kg.
12	1	OIL FILTER	DAEWOO	-
11	1	WATER TRAP	W&C	-
10	1	EXHAUST FLEX.	W&C	-
9	1	OIL PRESSURE SENDER	VDO	-
8	1	TEMP SENDER	VDO	-
7	1	ELECTRONIC GOVERNOR	DAEWOO	-
6	1	MAGNETIC SPEED PICKUP	DAEWOO	-
5	1	AIR CLEANER	DAEWOO	-
4	1	-	-	-
3	1	RADIATOR	DAEWOO	-
2	1	SUPPORT FEET & PANELS	W&C	-
1	1	PO86TI DIESEL ENGINE	DAEWOO	-

REV.	DESCRIPTION	DRN	DATE	CHK.	DATE	TO BE MODIFIED ON CAD ONLY	DRN.	P.N.L.	DATE
-	-	-	-	-	-	SCALE :1:20	CHK.	R.D.	08.12.05
-	-	-	-	-	-	PLOT SCALE :1:20 @ A3	ENG.	P.N.L.	08.12.05
B	ISSUED FOR MANUFACTURE	P.N.L.	30.07.12	R.D.	30.07.12	TOLERANCES	APP.	R.D.	08.12.05
A	ISSUED FOR APPROVAL	P.N.L.	30.07.12	R.D.	30.07.12	FABRICATED DIMENSIONS ± 2 mm			
						MACHINING DIMENSIONS ± 0.125 mm			
						UNLESS OTHERWISE SPECIFIED			

W&C
 WELLING & CROSSLEY PTY LTD
 59 EXPORT DRIVE, BROOKLYN VIC. 3012
 UNIT 2/1040 VETHERILL PK NSW 2164
 UNIT 5/235 CAMBORN RD MALAGA WA 6090
 UNIT 11/1909 IPSWICH ROCKLEA QLD 4106
 EMAIL: wellcross@wellcross.com.au

CLIENT : -

 THIS DRAWING AND DESIGN REMAIN THE PROPERTY OF WELLING & CROSSLEY PTY. LTD. A.B.N. 61 005 690 273. THIS DRAWING AND DESIGN CAN NOT BE COPIED OR ALTERED IN ANY WAY WITHOUT PRIOR WRITTEN APPROVAL FROM WELLING & CROSSLEY PTY. LTD. THIS DRAWING AND ALL COPIES, HARD & SOFT MUST BE RETURNED TO WELLING & CROSSLEY PTY. LTD. UPON REQUEST FROM WELLING & CROSSLEY PTY. LTD.

TITLE : FIR ENGINE - CROSSLEY
 P126TI/S RADIATOR
 GENERAL ARRANGEMENT
 DRG No: 20-P126TI-007 A3 REV B