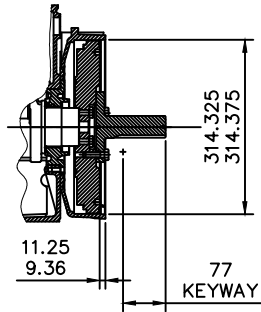


ELECTRICAL SYSTEM

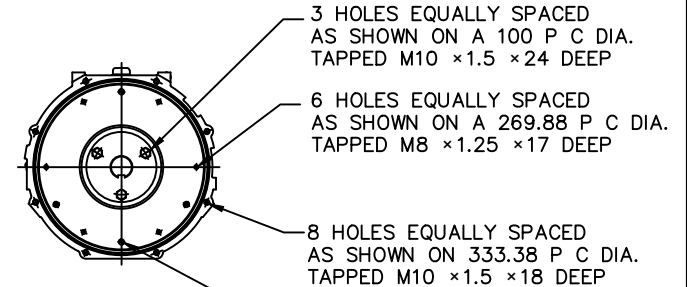
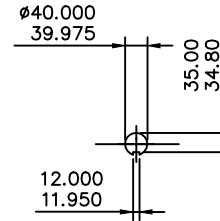
12 VOLT NEGATIVE EARTH
 COLD CRANKING AMPS 116
 FLYWHEEL TEETH 96
 VDO OIL & TEMP SENDERS
 ARE FITTED
 OIL PRESSURE 500Kpa
 WATER TEMP 120°C

OIL SUMP PLUG

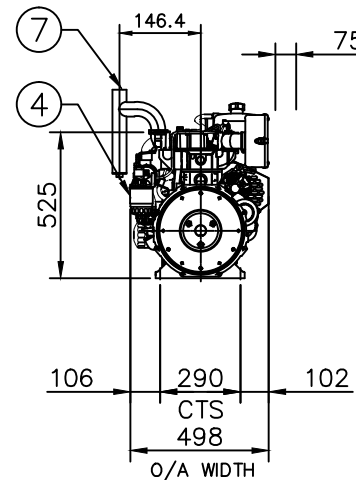
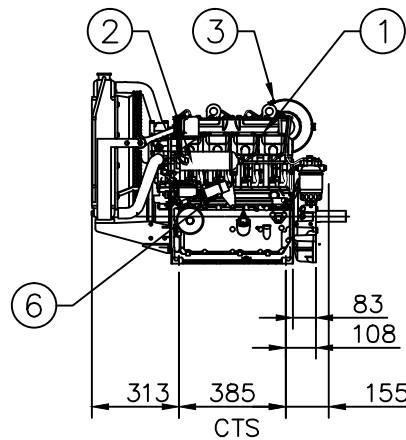
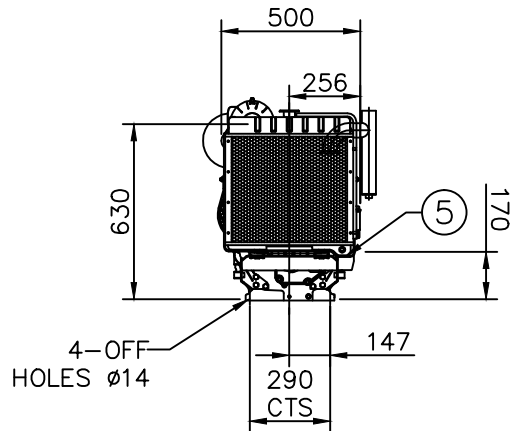
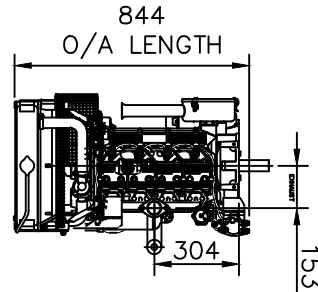
IS LOCATED FLUSH WITH
 SUMP BOTTOM.
 LUBE OIL MUST BE DRAINED
 THROUGH DIPSTICK HOLE.
 ALTERNATELY DRAIN TO BE
 EXTENDED BY PUMP
 PACKAGER



SECTION THROUGH FLYWHEEL



SAE 5 FLYWHEEL HOUSING



WEIGHT = 210 Kg. APPROX

ITEM	QTY	DESCRIPTION	W&C REF. No.	Wt. Kg.
7	1	WATER TRAP	W&C	-
6	1	SOLENOID	LISTER	-
5	1	OIL FILTER	LISTER	-
4	1	FUEL FILTER	LISTER	-
3	1	AIR FILTER	LISTER	-
2	1	RADIATOR	LISTER	-
1	1	LPW4-46 DIESEL ENGINE	LISTER	-

REV.	DESCRIPTION	DRN	DATE	CHK.	DATE.
-	-	-	-	-	-
-	-	-	-	-	-
-	-	-	-	-	-
B	ISSUED FOR MANUFACTURE	P.N.L.	15.06.16	P.M.	15.06.16
A	ISSUED FOR APPROVAL	P.N.L.	15.06.16	P.M.	15.06.16

TO BE MODIFIED ON CAD ONLY
 DRN. P.N.L. 15.06.16
 DRAWN SCALE : 1:1
 CHK. P.M. 15.06.16
 PLOT SCALE : 1:20 @ A3
 ENG. L.P. 15.06.16
WELLING & CROSSLEY PTY LTD
 59 EXPORT DRIVE BROOKLYN VIC. 3012
 1042. CANLEY VALE RD. WETHERILL PK NSW 2164
 UNIT 5/235 CAMBOON RD MALAGA WA 6090
 UNIT 11/1909 IPSWICH ROCKLEA QLD 4106
 EMAIL: wellcross@wellcross.com.au

THIS DRAWING AND DESIGN REMAIN THE PROPERTY OF WELLING & CROSSLEY PTY. LTD. A.B.N. 61 005 690 273. THIS DRAWING AND DESIGN CAN NOT BE COPIED OR ALTERED IN ANY WAY WITHOUT PRIOR WRITTEN APPROVAL FROM WELLING & CROSSLEY PTY. LTD. THIS DRAWING AND ALL COPIES, HARD & SOFT MUST BE RETURNED TO WELLING & CROSSLEY PTY. LTD. UPON REQUEST FROM WELLING & CROSSLEY PTY. LTD.

TITLE : FIRE PUMP DIESEL ENGINE
 LPW4-46 LISTER RADIATOR
 GENERAL ARRANGEMENT

DRG No: 20-LPW4-007

A3 REV B