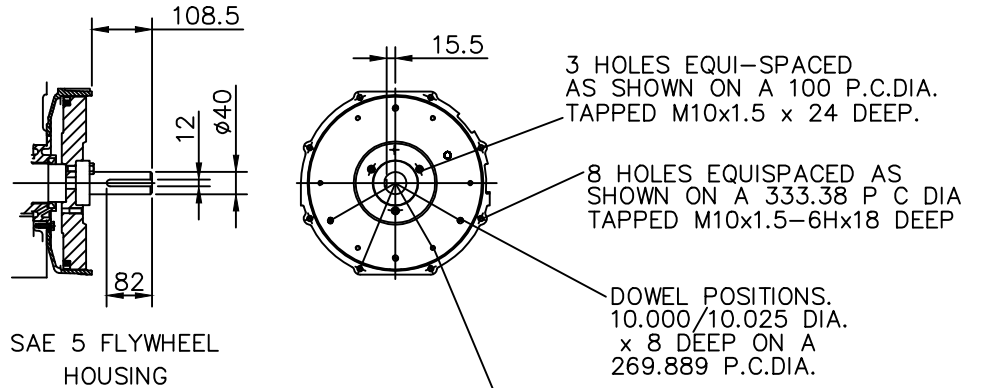
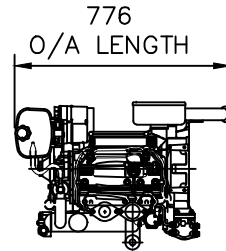
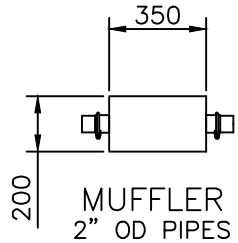


ELECTRICAL SYSTEM

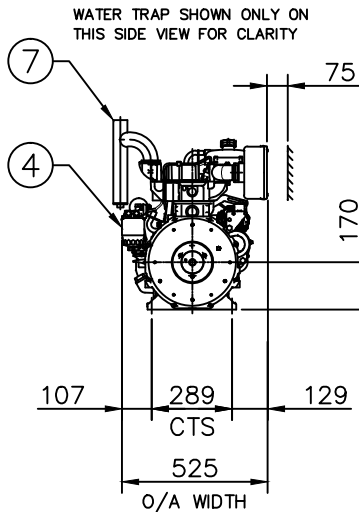
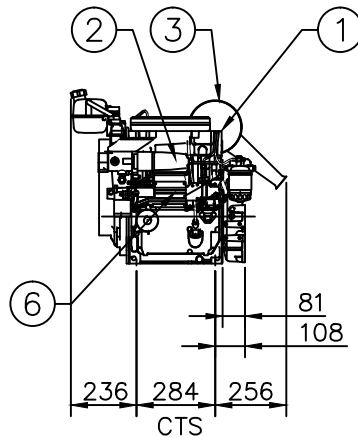
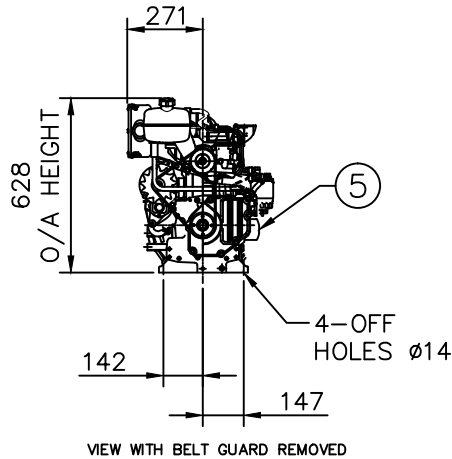
12 VOLT NEGATIVE EARTH
COLD CRANKING AMPS 116
FLYWHEEL TEETH 96
VDO OIL & TEMP SENDERS
ARE FITTED
OIL PRESSURE 500Kpa
WATER TEMP 120°C

OIL SUMP PLUG

IS LOCATED FLUSH WITH
SUMP BOTTOM.
LUBE OIL MUST BE DRAINED
THROUGH DIPSTICK HOLE
ALTERNATELY DRAIN TO BE
EXTENDED BY PUMP
PACKAGER



SAE 5 FLYWHEEL
HOUSING



COOLING WATER FLOW RATE

MINIMUM FLOW RATE IS
0.3 LITRES PER SECOND @ 20°.
HIGHER FLOW RATES ARE REQUIRED
AT HIGHER TEMPERATURES. FAILURE
TO PROVIDE THIS FLOW RATE WILL
CAUSE PERMANENT ENGINE FAILURE
WITHIN MINUTES OF RUNNING THE
DIESEL ENGINE.

WEIGHT = 150 Kg. APPROX

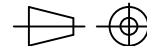
ITEM	QTY	DESCRIPTION	W&C REF. No.	Wt. Kg.
7	1	WATER TRAP	W&C	-
6	1	SOLENOID	LISTER	-
5	1	OIL FILTER	LISTER	-
4	1	FUEL FILTER	LISTER	-
3	1	AIR FILTER	LISTER	-
2	1	HEAT EXCHANGER	LISTER	-
1	1	LPW2-46 DIESEL ENGINE	LISTER	-

REV.	DESCRIPTION	DRN	DATE	CHK.	DATE.
-	-	-	-	-	-
-	-	-	-	-	-
-	-	-	-	-	-
B	ISSUED FOR MANUFACTURE	R.M.	13.05.11	P.N.L.	13.05.11
A	ISSUED FOR APPROVAL	R.M.	13.05.11	P.N.L.	13.05.11

TO BE MODIFIED ON CAD ONLY	DRN.	R.M.	13.05.11
DRAWN SCALE : 1:1	CHK.	P.N.L.	13.05.11
PLOT SCALE : 1:20 @ A3	ENG.	P.N.L.	13.05.11
TOLERANCES	APP.	T.L.	13.05.11
FABRICATED DIMENSIONS ± 2 mm			
MACHINING DIMENSIONS ± 0.125 mm			
UNLESS OTHERWISE SPECIFIED			



WELLING & CROSSLEY PTY LTD
59 EXPORT DRIVE BROOKLYN VIC. 3012
1042 CANLEY VALE RD. WETHERILL PK NSW 2164
UNIT 5/235 CAMBOON RD MALAGA WA 6090
UNIT 11/1909 IPSWICH ROCKLEA QLD 4106
EMAIL: wellcross@welcross.com.au



THIS DRAWING AND DESIGN REMAIN THE PROPERTY OF
WELLING & CROSSLEY PTY. LTD. A.B.N. 61 005 690 273.
THIS DRAWING AND DESIGN CAN NOT BE COPIED OR
ALTERED IN ANY WAY WITHOUT PRIOR WRITTEN
APPROVAL FROM WELLING & CROSSLEY PTY. LTD.
THIS DRAWING AND ALL COPIES, HARD & SOFT MUST BE
RETURNED TO WELLING & CROSSLEY PTY. LTD. UPON
REQUEST FROM WELLING & CROSSLEY PTY. LTD.

TITLE : FIRE PUMP DIESEL ENGINE
LPW3-46 LISTER HEAT EXCHANGER
GENERAL ARRANGEMENT

DRG No:	20-LPW3-006	A3	REV B
---------	-------------	----	----------