

ELECTRICAL SYSTEM

24 VOLT NEGATIVE EARTH
COLD CRANKING AMPS 500
FLYWHEEL TEETH 152
VDO OIL & TEMP SENDERS
ARE FITTED
OIL PRESSURE 1000Kpa
WATER TEMP 120°C

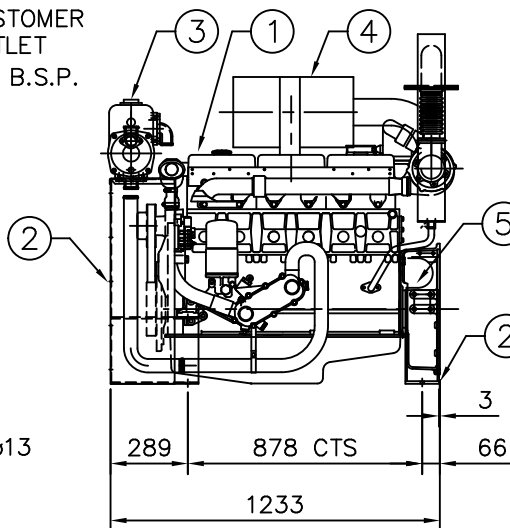
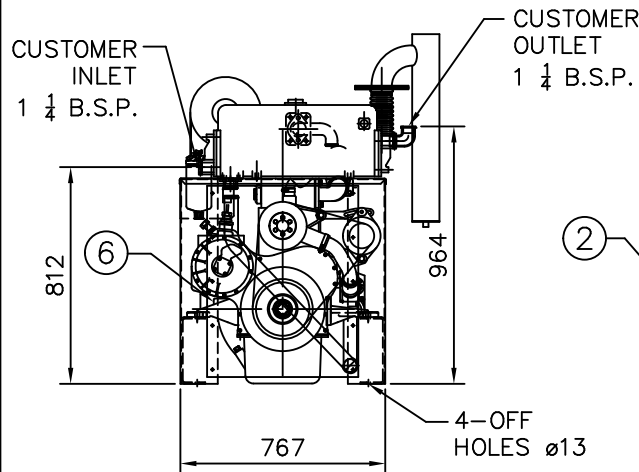
TABLE 'A'			
ENGINE TYPE	D1146T	D1146TS	D1146TSS
WATER FLOW RATE (L/SEC)	1.7	2.0	2.1

PAINTING / POWDERCOATING

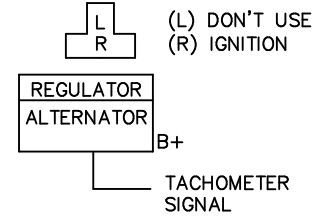
ENGINE:- PAINTED SIGNAL RED
FEET & PANELS:- POWDER COATED
SIGNAL RED
HEAT EXCHANGER:- PAINTED SIGNAL RED
MUFFLER:- HIGH TEMP SILVER

COOLING WATER FLOW RATE

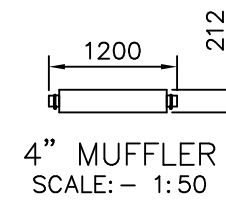
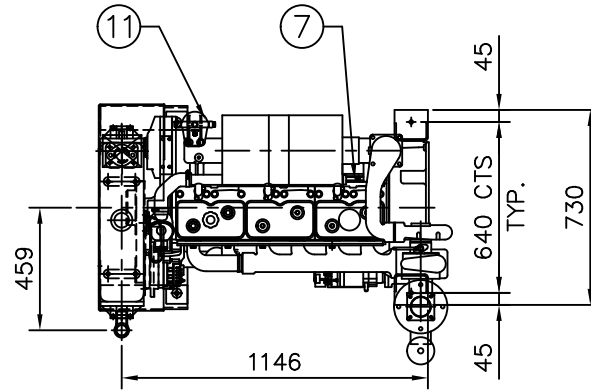
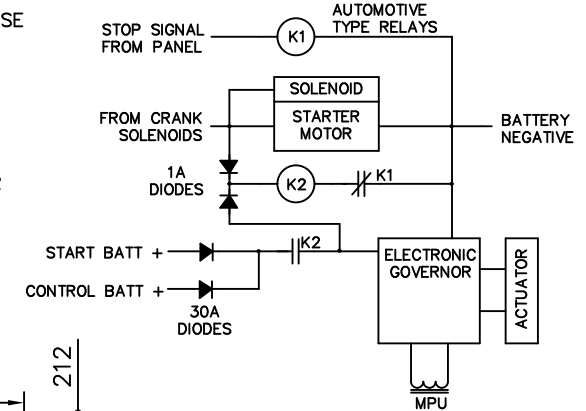
MINIMUM FLOW RATE IS
TABLE 'A' PER SECOND @ 20'.
HIGHER FLOW RATES ARE REQUIRED
AT HIGHER TEMPERATURES.
FAILURE TO PROVIDE THIS FLOW
RATE WILL CAUSE PERMANENT ENGINE
FAILURE WITHIN MINUTES OF RUNNING
THE DIESEL ENGINE



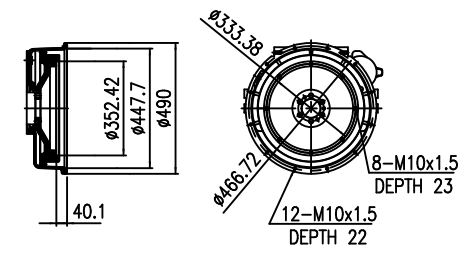
ALTERNATOR WIRING



SUGGESTED GOVERNOR WIRING



BELL HOUSING SAE 2
FLYWHEEL SAE 11 1/2



TOTAL WEIGHT = 860 Kg.

11	1	OIL FILTER	DAEWOO	-
10	1	WATER TRAP	W&C	-
9	1	EXHAUST FLEX.	W&C	-
8	1	OIL PRESSURE SENDER	VDO	-
7	1	TEMP SENDER	VDO	-
6	1	FUEL SOLENOID	W&C	-
5	1	MAGNETIC SPEED PICKUP	DAEWOO	-
4	1	AIR CLEANER	DAEWOO	-
3	1	HEAT EXCHANGER	400CH	-
2	1	SUPPORT FEET & PANELS	W&C	-
1	1	D1146N DIESEL ENGINE	DAEWOO	-
ITEM	QTY	DESCRIPTION	W&C REF. No.	Wt. Kg.
ITEM	QTY	DESCRIPTION	W&C REF. No.	Wt. Kg.

-	-	-	-	-	TO BE MODIFIED ON CAD ONLY	DRN.	P.N.L.	01.06.05
-	-	-	-	-	SCALE :1:20	CHK.	S.O.	01.06.05
-	-	-	-	-	PLOT SCALE :1:20 @ A3	ENG.	R.D.	05.04.04
B	ISSUED FOR MANUFACTURE	P.N.L.	30.07.12	S.O.	30.07.12	APP.	T.L.	01.06.05
A	ISSUED FOR APPROVAL	P.N.L.	30.07.12	S.O.	30.07.12			
REV.	DESCRIPTION	DRN	DATE	CHK.	DATE.	TOLERANCES FABRICATED DIMENSIONS ± 2 mm MACHINING DIMENSIONS ± 0.125 mm UNLESS OTHERWISE SPECIFIED		

W&C
WELLING & CROSSLEY PTY LTD
59 EXPORT DRIVE BROOKLYN VIC. 3012
UNIT 2/1040 WETHERILL PK NSW 2164
UNIT 5/235 CAMBOON RD MALAGA WA 6090
UNIT 11/1909 IPSWICH ROCKLEA QLD 4106
EMAIL: wellcross@wellcross.com.au

CLIENT : -

THIS DRAWING AND DESIGN REMAIN THE PROPERTY OF WELLING & CROSSLEY PTY. LTD. A.B.N. 61 005 690 273. THIS DRAWING AND DESIGN CAN NOT BE COPIED OR ALTERED IN ANY WAY WITHOUT PRIOR WRITTEN APPROVAL FROM WELLING & CROSSLEY PTY. LTD. THIS DRAWING AND ALL COPIES, HARD & SOFT MUST BE RETURNED TO WELLING & CROSSLEY PTY. LTD. UPON REQUEST FROM WELLING & CROSSLEY PTY. LTD.

TITLE : FIRE ENGINE - CROSSLEY
D1146T/S/SS HEAT EXCHANGER
GENERAL ARRANGEMENT

DRG No: 20-D1146T-006 A3 REV B