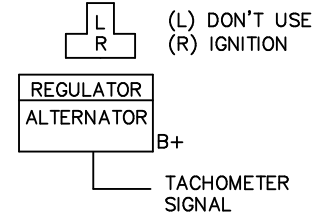


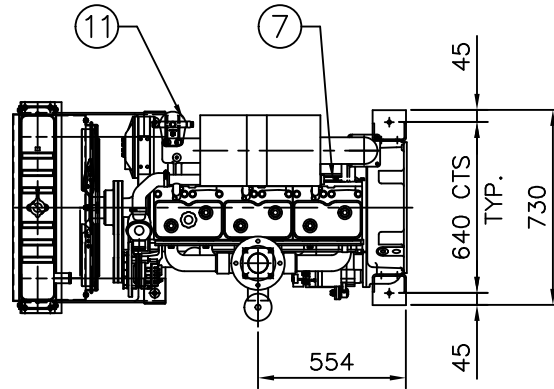
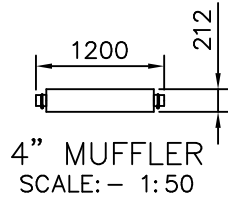
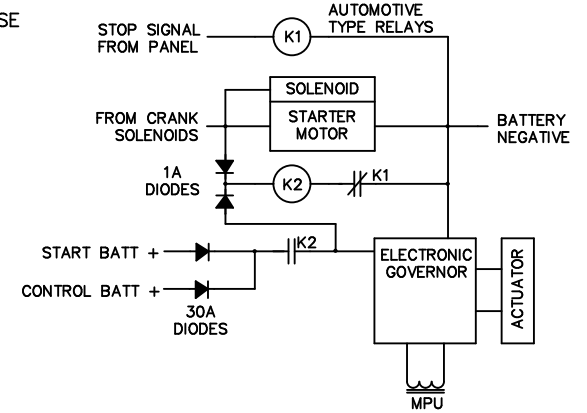
ELECTRICAL SYSTEM
 24 VOLT NEGATIVE EARTH
 COLD CRANKING AMPS 500
 FLYWHEEL TEETH 152
 VDO OIL & TEMP SENDERS
 ARE FITTED
 OIL PRESSURE 1000Kpa
 WATER TEMP 120°C

PAINTING / POWDERCOATING
 ENGINE: - PAINTED SIGNAL RED
 FEET: - POWDER COATED
 SIGNAL RED
 RADIATOR: - POWDER COATED
 SEMIGLOSS BLACK
 MUFFLER: - HIGH TEMP SILVER

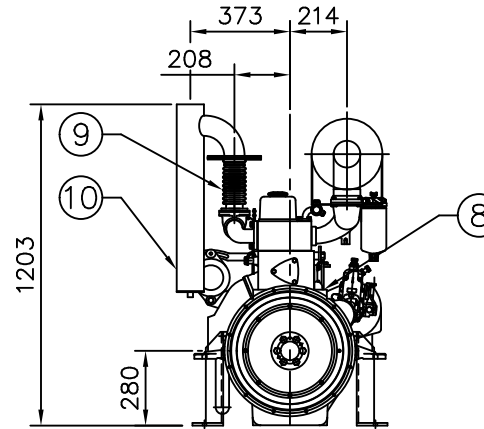
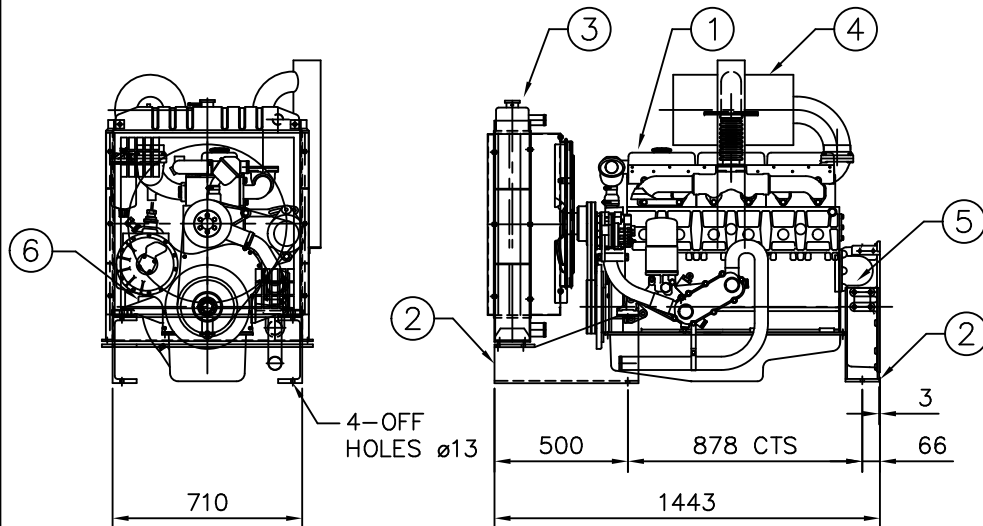
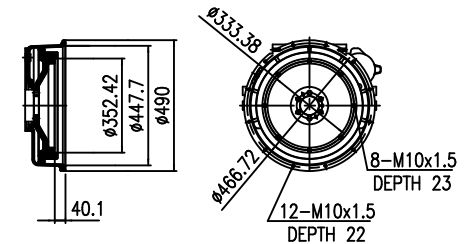
ALTERNATOR WIRING



SUGGESTED GOVERNOR WIRING



BELL HOUSING SAE 2
 FLYWHEEL SAE 11 1/2



TOTAL WEIGHT = 860 Kg.

ITEM	QTY	DESCRIPTION	W&C REF. No.	Wt. Kg.
11	1	OIL FILTER	DAEWOO	-
10	1	WATER TRAP	W&C	-
9	1	EXHAUST FLEX.	W&C	-
8	1	OIL PRESSURE SENDER	VDO	-
7	1	TEMP SENDER	VDO	-
6	1	FUEL SOLENOID	W&C	-
5	1	MAGNETIC SPEED PICKUP	DAEWOO	-
4	1	AIR CLEANER	DAEWOO	-
3	1	RADIATOR	DAEWOO	-
2	1	SUPPORT FEET	W&C	-
1	1	D1146N DIESEL ENGINE	DAEWOO	-

REV.	DESCRIPTION	DRN	DATE	CHK.	DATE
-	-	-	-	-	-
-	-	-	-	-	-
B	ISSUED FOR MANUFACTURE	P.N.L.	30.07.12	S.O.	30.07.12
A	ISSUED FOR APPROVAL	P.N.L.	30.07.12	S.O.	30.07.12

W&C
WELLING & CROSSLEY PTY LTD
 59 EXPORT DRIVE BROOKLYN VIC. 3012
 UNIT 2/1040 WETHERILL PK NSW 2164
 UNIT 5/235 CAMBOON RD MALAGA WA 6090
 UNIT 11/1909 IPSWICH ROCKLEA QLD 4106
 EMAIL: wellcross@wellcross.com.au

CLIENT : -

 THIS DRAWING AND DESIGN REMAIN THE PROPERTY OF WELLING & CROSSLEY PTY. LTD. A.B.N. 61 005 690 273. THIS DRAWING AND DESIGN CAN NOT BE COPIED OR ALTERED IN ANY WAY WITHOUT PRIOR WRITTEN APPROVAL FROM WELLING & CROSSLEY PTY. LTD. THIS DRAWING AND ALL COPIES, HARD & SOFT MUST BE RETURNED TO WELLING & CROSSLEY PTY. LTD. UPON REQUEST FROM WELLING & CROSSLEY PTY. LTD.

TITLE : FIRE ENGINE - CROSSLEY D1146N/S/SS RADIATOR GENERAL ARRANGEMENT
 DRG No: 20-D1146N-007 A3 REV B