

PAINTING / POWDERCOATING

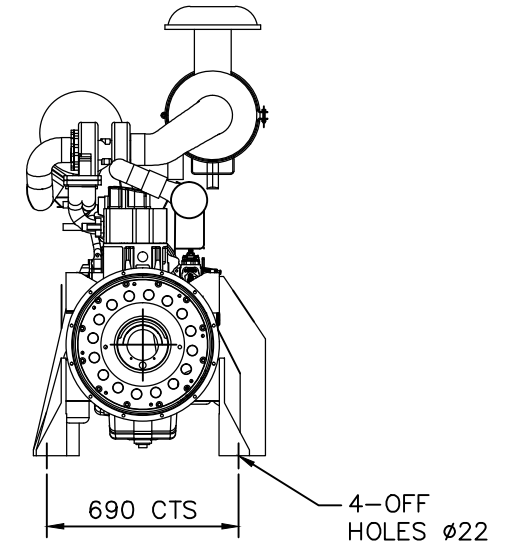
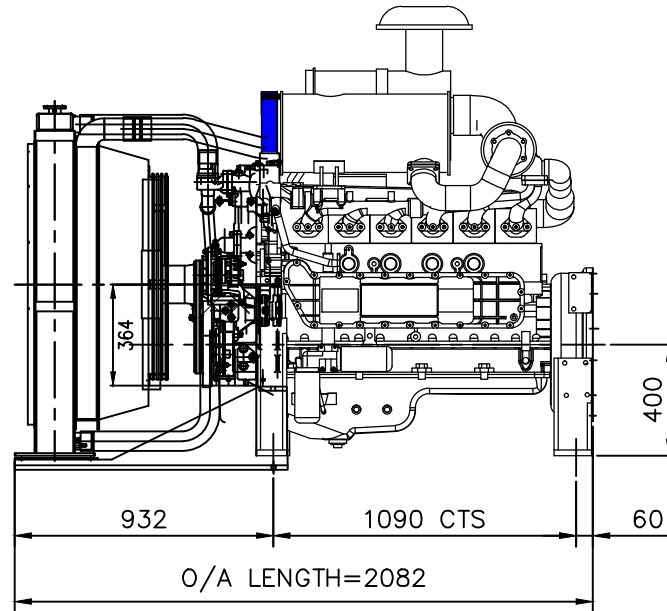
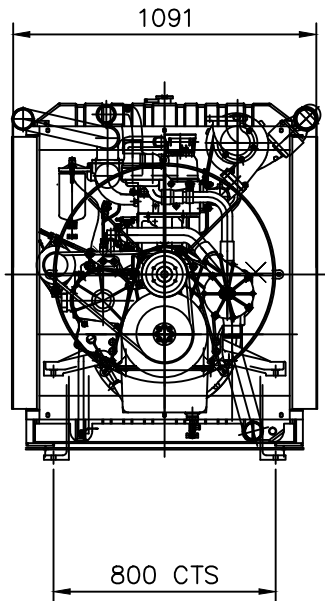
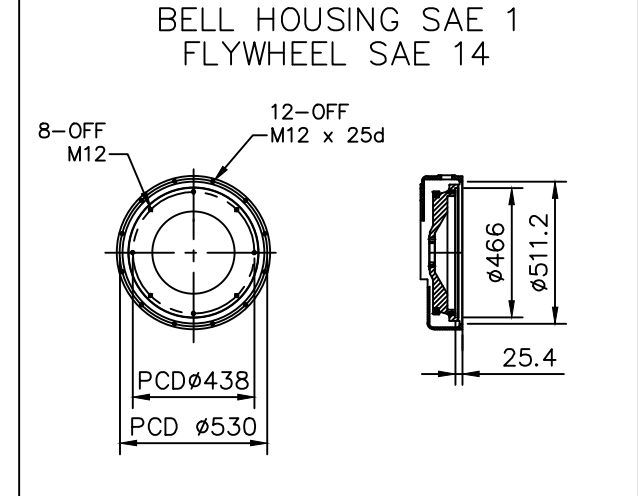
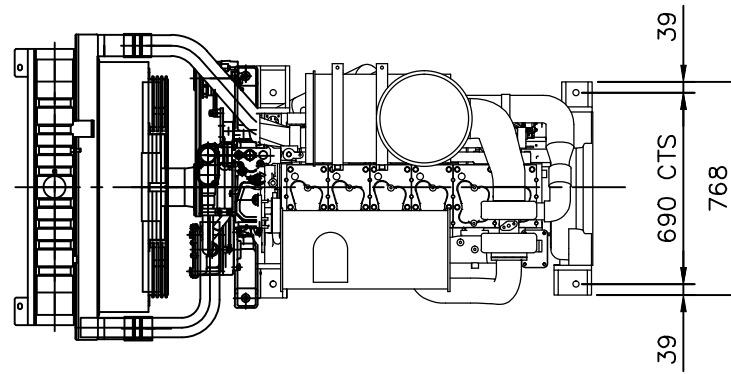
ENGINE: - PAINTED SIGNAL RED
 FEET: - POWDER COATED SIGNAL RED
 RADIATOR: - PAINTED GLOSS BLACK

ELECTRICAL SYSTEM

24 VOLT NEGATIVE EARTH
 COLD CRANKING AMPS 315
 FLYWHEEL MAGNETIC PICK-UP
 VDO OIL & TEMP SENDERS
 ARE FITTED
 OIL PRESSURE 1000Kpa
 WATER TEMP 120°C

ELECTRICAL SYSTEM

24 VOLT NEGATIVE EARTH
 COLD CRANKING AMPS 315
 FLYWHEEL MAGNETIC PICK-UP
 VDO OIL & TEMP SENDERS
 ARE FITTED
 OIL PRESSURE 1000Kpa
 WATER TEMP 120°C



-	-	-	-	-	TO BE MODIFIED ON CAD ONLY	DRN.	P.N.L.	12.06.14	W&C		TITLE : FIRE ENGINE -CROSSLEY 6126Ti-2L RADIATOR GENERAL ARRANGEMENT				
-	-	-	-	SCALE :1:20	CHK.	A.P.	12.06.14	WELING & CROSSLEY PTY LTD 59 EXPORT DRIVE BROOKLYN VIC. 3012 UNIT 2/1040 WETHERILL PK NSW 2164 UNIT 5/235 CAMBOON RD MALAGA WA 6090 UNIT 11/1909 IPSWICH ROCKLEA QLD 4106 EMAIL: wellcross@wellcross.com.au				THIS DRAWING AND DESIGN REMAIN THE PROPERTY OF WELING & CROSSLEY PTY. LTD. A.B.N. 61 005 690 273. THIS DRAWING AND DESIGN CAN NOT BE COPIED OR ALTERED IN ANY WAY WITHOUT PRIOR WRITTEN APPROVAL FROM WELING & CROSSLEY PTY. LTD. THIS DRAWING AND ALL COPIES, HARD & SOFT MUST BE RETURNED TO WELING & CROSSLEY PTY. LTD. UPON REQUEST FROM WELING & CROSSLEY PTY. LTD.	DRG No: 20-6126Ti-2L-007	A3	REV B
-	-	-	-	PLOT SCALE :1:20 @ A3	ENG.	P.N.L.	12.06.14								
B	ISSUED FOR MANUFACTURE	P.N.L.	12.06.14	A.P.	12.06.14	APP.	T.L.	12.06.14							
A	ISSUED FOR APPROVAL	P.N.L.	03.03.14	A.P.	12.06.14										
REV.	DESCRIPTION	DRN	DATE	CHK.	DATE.										