

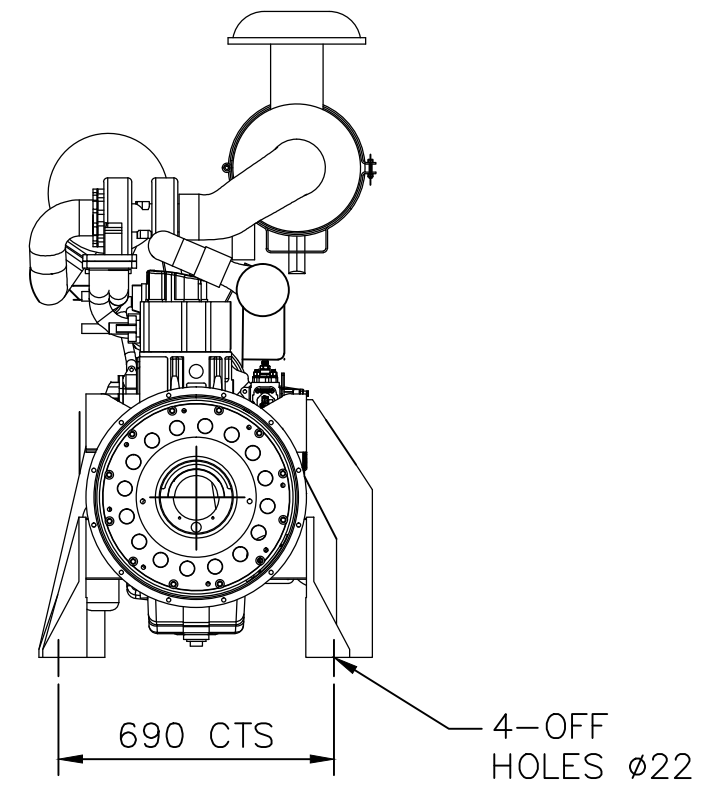
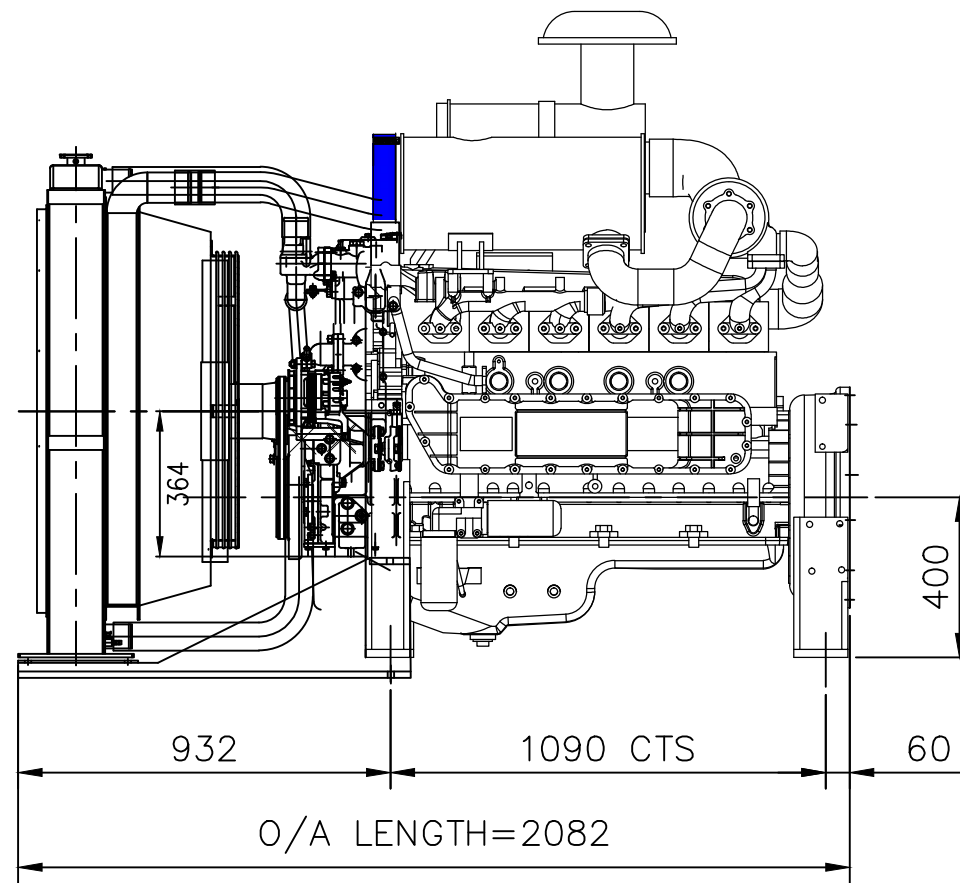
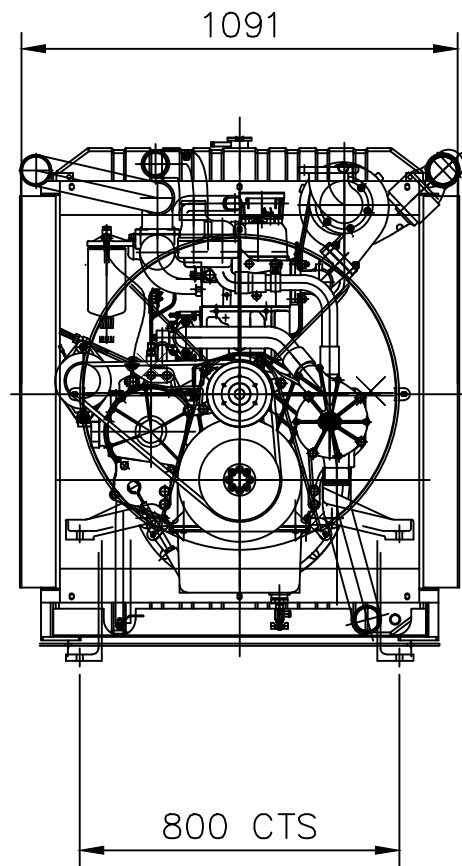
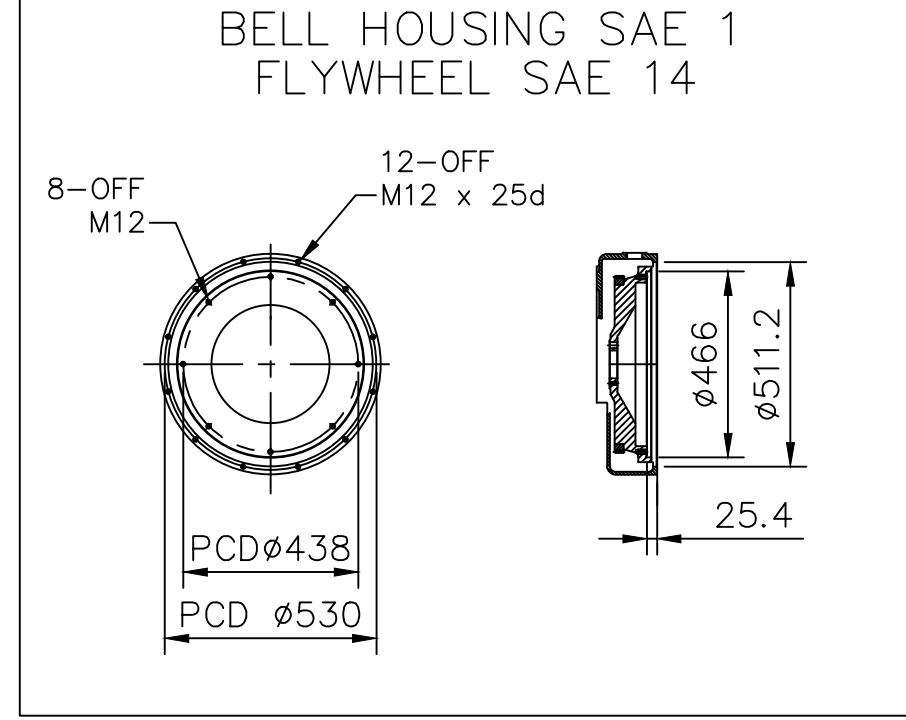
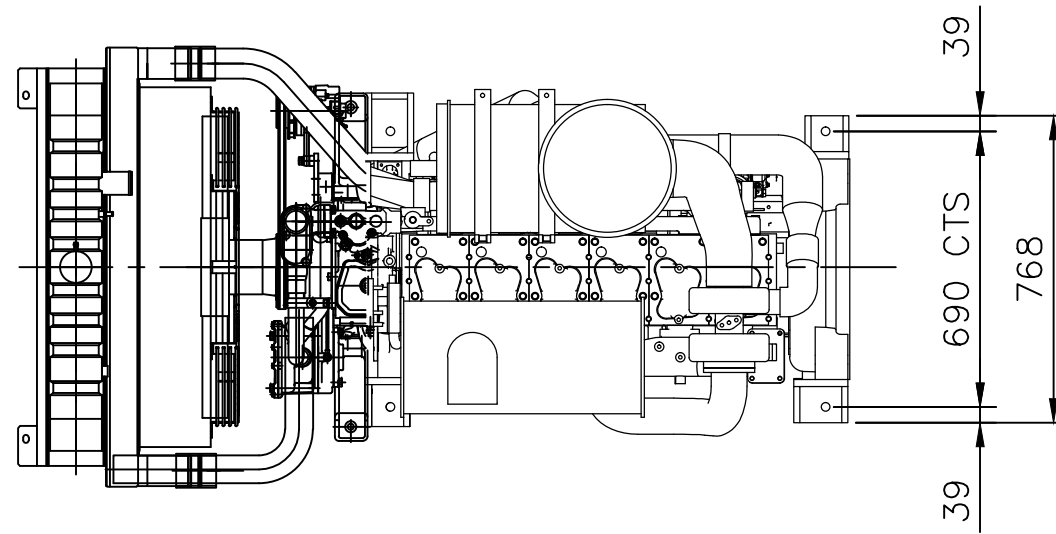
PAINTING / POWDERCOATING
 ENGINE: - PAINTED SIGNAL RED
 FEET: - POWDER COATED SIGNAL RED
 RADIATOR: - PAINTED GLOSS BLACK

ELECTRICAL SYSTEM

24 VOLT NEGATIVE EARTH
 COLD CRANKING AMPS 315
 FLYWHEEL MAGNETIC PICK-UP
 VDO OIL & TEMP SENDERS
 ARE FITTED
 OIL PRESSURE 1000Kpa
 WATER TEMP 120°C

ELECTRICAL SYSTEM

24 VOLT NEGATIVE EARTH
 COLD CRANKING AMPS 315
 FLYWHEEL MAGNETIC PICK-UP
 VDO OIL & TEMP SENDERS
 ARE FITTED
 OIL PRESSURE 1000Kpa
 WATER TEMP 120°C



-	-	-	-	-	TO BE MODIFIED ON CAD ONLY	DRN.	P.N.L.	12.06.14
-	-	-	-	-	SCALE :1:20	CHK.	A.P.	12.06.14
-	-	-	-	-	PLOT SCALE :1:20 @ A3	ENG.	P.N.L.	12.06.14
B	ISSUED FOR MANUFACTURE	P.N.L.	12.06.14	A.P.	12.06.14	APP.	T.L.	12.06.14
A	ISSUED FOR APPROVAL.	P.N.L.	03.03.14	A.P.	12.06.14			
REV.	DESCRIPTION	DRN	DATE	CHK.	DATE.			

W&C
WELLING & CROSSLEY PTY LTD
 59 EXPORT DRIVE BROOKLYN VIC. 3012
 UNIT 2/1040 WETHERILL PK NSW 2164
 UNIT 5/235 CAMBOON RD MALAGA WA 6090
 UNIT 11/1909 IPSWICH ROCKLEA QLD 4106
 EMAIL: wellcross@wellcross.com.au

THIS DRAWING AND DESIGN REMAIN THE PROPERTY OF
 WELLING & CROSSLEY PTY. LTD. A.B.N. 61 005 690 273.
 THIS DRAWING AND DESIGN CAN NOT BE COPIED OR
 ALTERED IN ANY WAY WITHOUT PRIOR WRITTEN
 APPROVAL FROM WELLING & CROSSLEY PTY. LTD.
 THIS DRAWING AND ALL COPIES, HARD & SOFT MUST BE
 RETURNED TO WELLING & CROSSLEY PTY. LTD. UPON
 REQUEST FROM WELLING & CROSSLEY PTY. LTD.

TITLE : FIRE ENGINE -CROSSLEY
 6126Ti-2F RADIATOR
 GENERAL ARRANGEMENT

DRG No:
 20-6126Ti-2F-007

A3 REV B