

ELECTRICAL SYSTEM

24 VOLT NEGATIVE EARTH
 COLD CRANKING AMPS 500
 FLYWHEEL TEETH 152
 VDO OIL & TEMP SENDERS
 ARE FITTED
 OIL PRESSURE 1000Kpa
 WATER TEMP 120°C

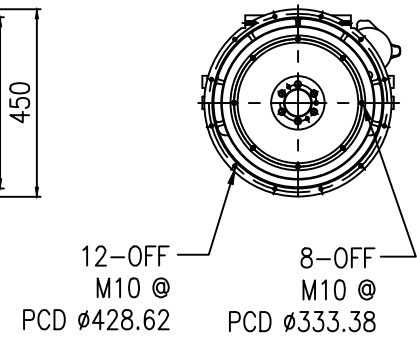
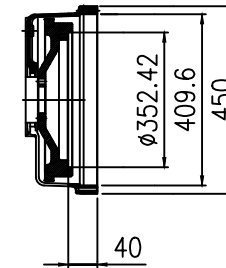
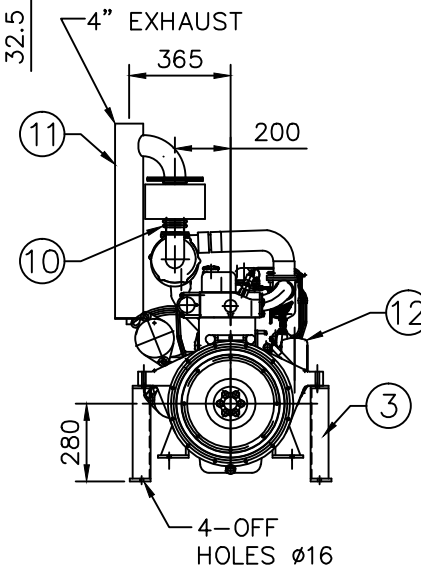
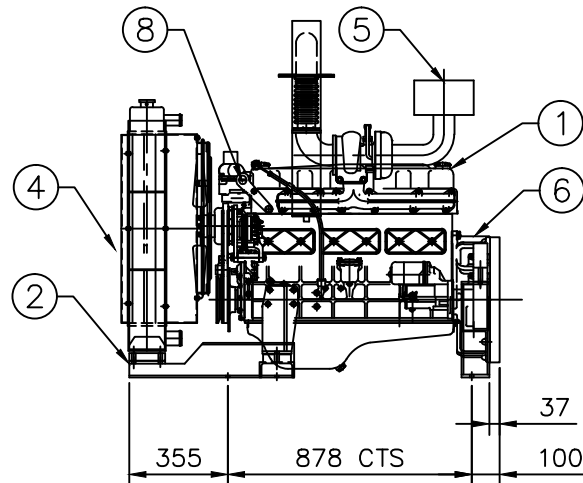
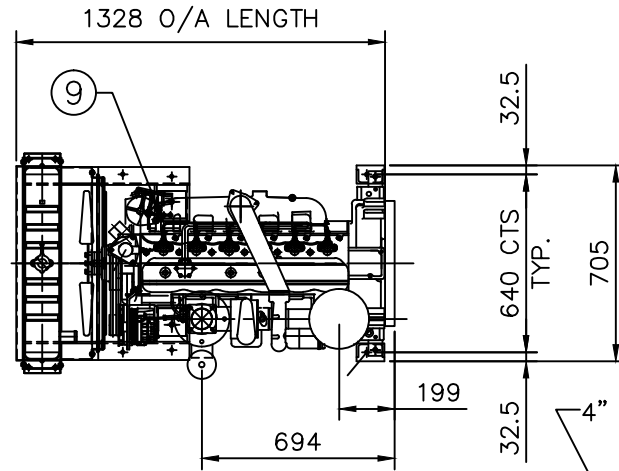
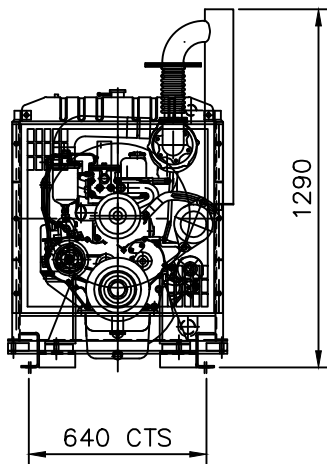
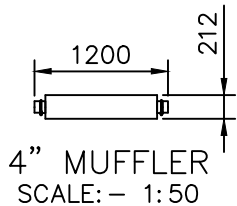
OIL SUMP PLUG

IS LOCATED FLUSH WITH
 SUMP BOTTOM.
 LUBE OIL MUST BE DRAINED
 THROUGH DIPSTICK HOLE
 ALTERNATELY DRAIN TO BE
 EXTENDED BY PUMP
 PACKAGER

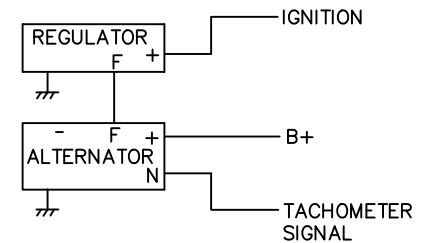
BELL HOUSING SAE 3
 FLYWHEEL SAE 11 1/2

PAINTING / POWDERCOATING

ENGINE: - PAINTED SIGNAL RED
 FEET: - POWDER COATED
 SIGNAL RED
 RADIATOR: - POWDER COATED
 SEMIGLOSS BLACK
 MUFFLER: - HIGH TEMP SILVER



ALTERNATOR WIRING



TOTAL WEIGHT = 650 Kg.

ITEM	QTY	DESCRIPTION	W&C REF. No.	Wt. Kg.
12	1	OIL FILTER	W&C	-
11	1	WATER TRAP	W&C	-
10	1	EXHAUST FLEX.	W&C	-
9	1	OIL PRESSURE SENDER	VDO	-
8	1	TEMP SENDER	VDO	-
7	1	FUEL SOLENOID	W&C	-
6	1	MAGNETIC SPEED PICKUP	W&C	-
5	1	AIR CLEANER	W&C	-
4	1	RADIATOR	W&C	-
3	1	REAR SUPPORT FEET	W&C	-
2	1	FRONT SUPPORT FEET	W&C	-
1	1	6102T DIESEL ENGINE	CROSSLEY	-

REV.	DESCRIPTION	DRN	DATE	CHK.	DATE.
-	-	-	-	-	-
-	-	-	-	-	-
-	-	-	-	-	-
B	ISSUED FOR MANUFACTURE	P.N.L.	30.07.12	S.O.	30.07.12
A	ISSUED FOR APPROVAL	P.N.L.	30.07.12	S.O.	30.07.12

TO BE MODIFIED ON CAD ONLY
 SCALE :1:20
 PLOT SCALE :1:20 @ A3

DRN. P.N.L. 27.07.06
 CHK. S.O. 27.07.06
 ENG. P.N.L. 27.07.06

W&C
 WELLING & CROSSLEY PTY LTD

59 EXPORT DRIVE BROOKLYN VIC. 3012
 UNIT 2/1040 WETHERILL PK NSW 2164
 UNIT 5/255 CAMBOON RD MALAGA WA 6090
 UNIT 11/1909 IPSWICH ROCKLEA QLD 4106
 EMAIL: wellcross@wellcross.com.au

THIS DRAWING AND DESIGN REMAIN THE PROPERTY OF
 WELLING & CROSSLEY PTY. LTD. A.B.N. 61 005 690 273.
 THIS DRAWING AND DESIGN CAN NOT BE COPIED OR
 ALTERED IN ANY WAY WITHOUT PRIOR WRITTEN
 APPROVAL FROM WELLING & CROSSLEY PTY. LTD.
 THIS DRAWING AND ALL COPIES, HARD & SOFT MUST BE
 RETURNED TO WELLING & CROSSLEY PTY. LTD. UPON
 REQUEST FROM WELLING & CROSSLEY PTY. LTD.

TITLE : FIRE PUMP DIESEL ENGINE
 6102TS/SS CROSSLEY RADIATOR
 GENERAL ARRANGEMENT

DRG No: 20-6102T-007

REV B