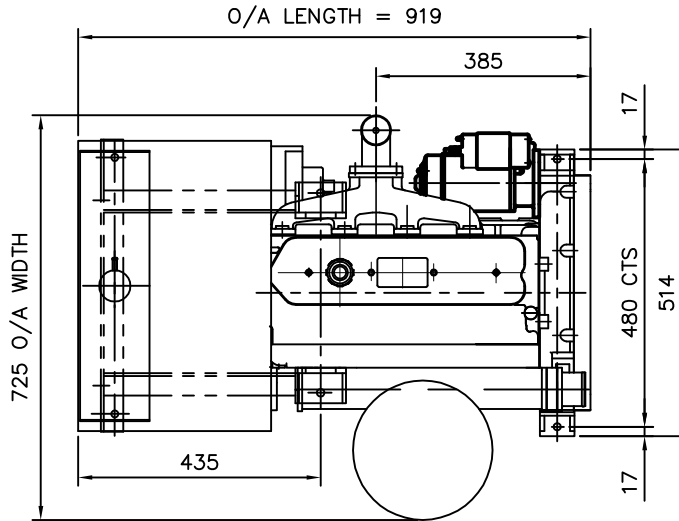


**PAINTING/
POWDERCOATING**

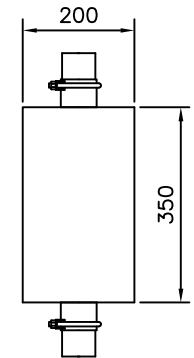
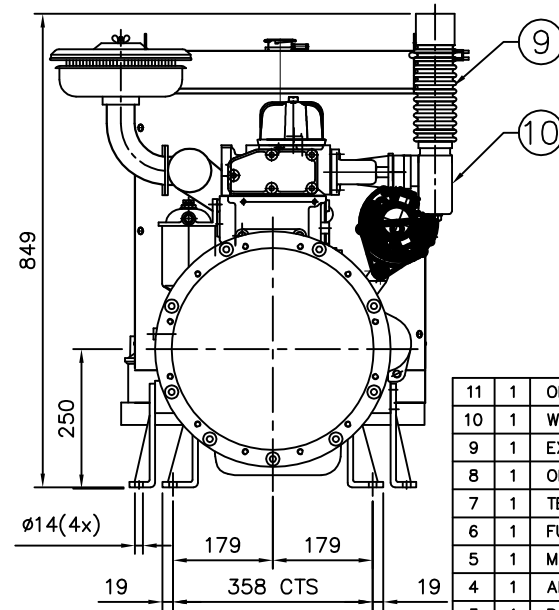
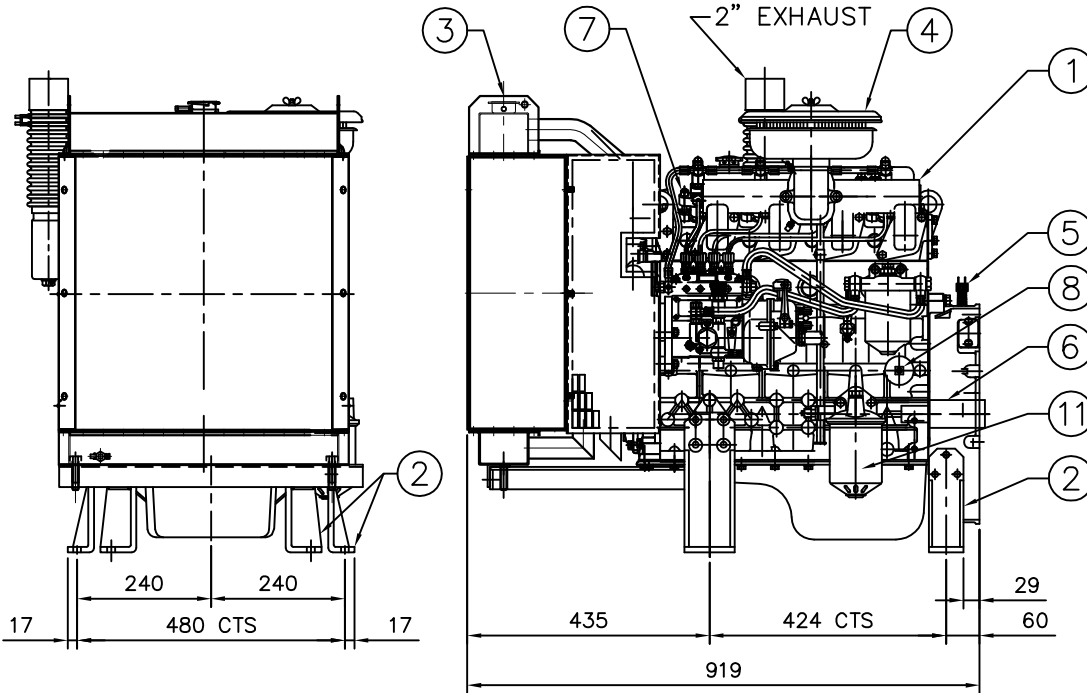
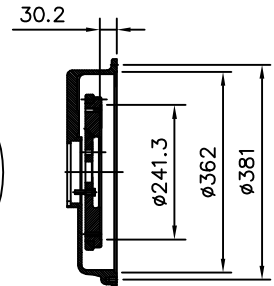
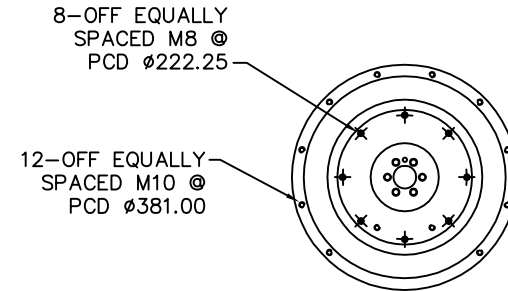
ENGINE: - PAINTED SIGNAL RED
 FEET: - POWDER COATED
 SIGNAL RED
 RADIATOR: - POWDER COATED
 SEMIGLOSS BLACK
 MUFFLER: - HIGH TEMP SILVER

OIL SUMP PLUG

IS LOCATED FLUSH WITH
 SUMP BOTTOM. LUBE OIL
 MUST BE DRAINED THROUGH
 DIPSTICK HOLE. ALTERNATELY,
 DRAIN TO BE EXTENDED BY
 PUMP PACKAGER.



**HOUSING SAE 4
& FLYWHEEL SAE 7 1/2**



**MUFFLER
2" OD PIPES**

TOTAL WEIGHT = 400 Kg.

ITEM	QTY	DESCRIPTION	W&C REF. No.	Wt. Kg.
11	1	OIL FILTER	W&C	-
10	1	WATER TRAP	W&C	-
9	1	EXHAUST FLEX	W&C	-
8	1	OIL PRESSURE SENDER	VDO	-
7	1	TEMP SENDER	VDO	-
6	1	FUEL SOLENOID	W&C	-
5	1	MAGNETIC SPEED PICKUP	W&C	-
4	1	AIR CLEANER	W&C	-
3	1	RADIATOR	DAEWOO	-
2	4	SUPPORT FEET	W&C	-
1	1	490 DIESEL ENGINE	CROSSLEY	-

REV.	DESCRIPTION	DRN	DATE	CHK.	DATE.	TO BE MODIFIED ON CAD ONLY	DRN.	R.M.	15.11.13
-	-	-	-	-	-	SCALE : 1:10	CHK.	P.N.L.	15.11.13
B	REVISED ENGINE DRAWING	R.M.	27.11.13	P.N.L.	27.11.13	PLOT SCALE : 1:10 @ A3	ENG.	P.N.L.	15.11.13
C	ISSUED FOR MANUFACTURE	R.M.	15.11.13	P.N.L.	15.11.13	TOLERANCES	APP.	T.L.	15.11.13
A	ISSUED FOR APPROVAL	R.M.	15.11.13	P.N.L.	15.11.13	ASSEMBLY DIMENSIONS ± 3 mm FABRICATED DIMENSIONS ± 2 mm MACHINING DIMENSIONS ± 0.125 mm UNLESS OTHERWISE SPECIFIED			

W&C
WELLING & CROSSLEY PTY LTD
 59 EXPORT DRIVE BROOKLYN VIC. 3012
 UNIT 2/1040 WETHERILL PK NSW 2164
 UNIT 5/235 CAMBOON RD MALAGA WA 6090
 UNIT 11/1909 IPSWICH ROCKLEA QLD 4106

THIS DRAWING AND DESIGN REMAIN THE PROPERTY OF
 WELLING & CROSSLEY PTY. LTD. A.B.N. 61 005 690 273.
 THIS DRAWING AND DESIGN CAN NOT BE COPIED OR
 ALTERED IN ANY WAY WITHOUT PRIOR WRITTEN
 APPROVAL FROM WELLING & CROSSLEY PTY. LTD.
 THIS DRAWING AND ALL COPIES, HARD & SOFT MUST BE
 RETURNED TO WELLING & CROSSLEY PTY. LTD. UPON
 REQUEST FROM WELLING & CROSSLEY PTY. LTD.

TITLE : FIRE PUMP DIESEL ENGINE
 490R CROSSLEY RADIATOR
 GENERAL ARRANGEMENT
 DRG No: 20-490N-007 A3 REV C