

PAINTING/POWDERCOATING

ENGINE: - PAINTED SIGNAL RED
 FEET & PANELS: - POWDER COATED SIGNAL RED
 HEAT EXCHANGER: - PAINTED SIGNAL RED
 MUFFLER: - HIGH TEMP SILVER

OIL SUMP PLUG

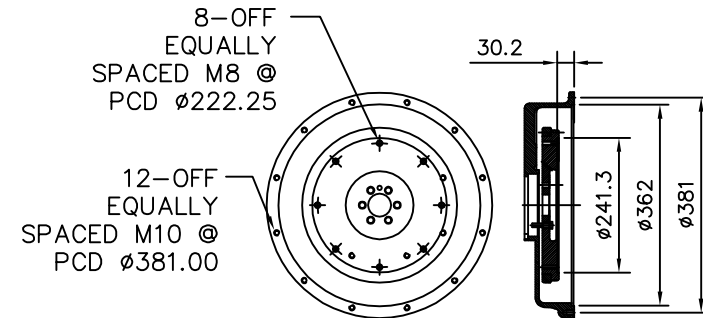
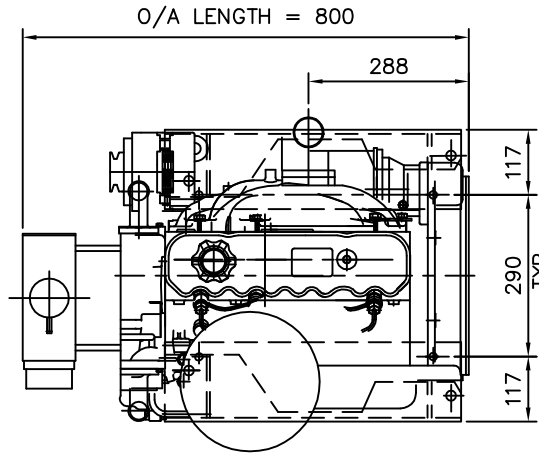
IS LOCATED FLUSH WITH SUMP BOTTOM. LUBE OIL MUST BE DRAINED THROUGH DIPSTICK HOLE. ALTERNATELY, DRAIN TO BE EXTENDED BY PUMP PACKAGER.

COOLING WATER FLOW RATE

MINIMUM FLOW RATE REQUIRED IS 0.75 LITRE PER SECOND @ 20'. HIGHER FLOW RATES ARE REQUIRED AT HIGHER TEMPERATURES. FAILURE TO PROVE THIS FLOW RATE WILL CAUSE PERMANENT ENGINE FAILURE WITHIN MINUTES OF RUNNING THE DIESEL ENGINE.

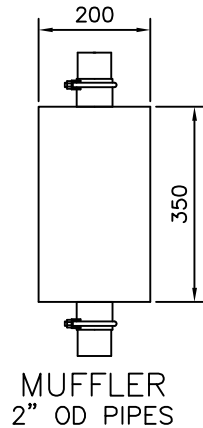
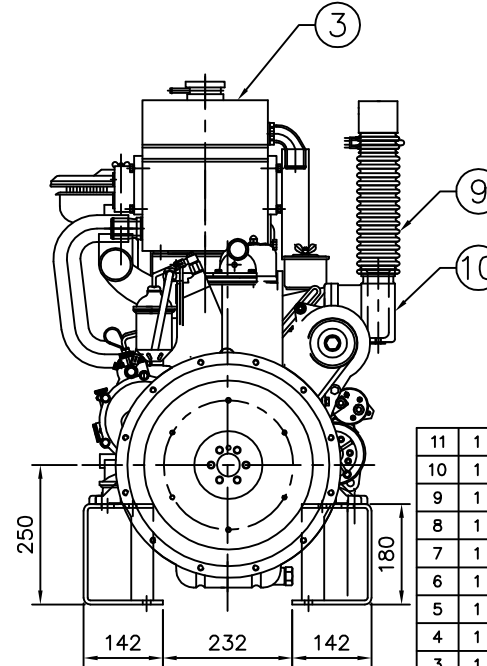
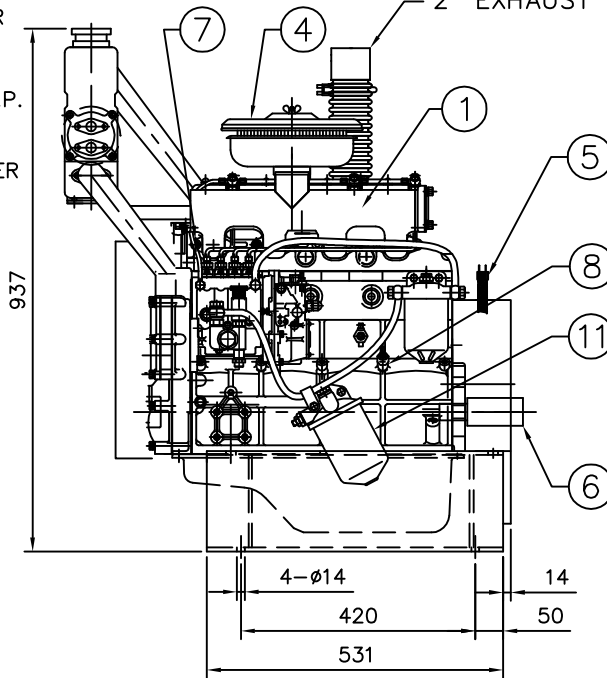
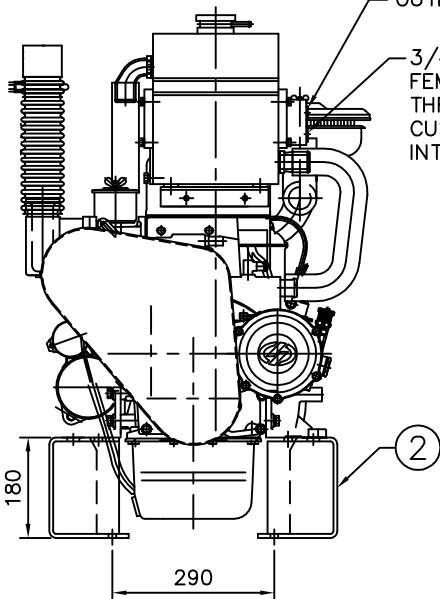
TOTAL WEIGHT = 300 Kg.

**HOUSING SAE 4
& FLYWHEEL SAE 7 1/2**



3/4 B.S.P. FEMALE THREAD CUSTOMER OUTLET
 2" EXHAUST

3/4 B.S.P. FEMALE THREAD CUSTOMER INTLET



| ITEM | QTY | DESCRIPTION | W&C REF. No. | Wt. Kg. |
|------|-----|-----------------------|--------------|---------|
| 11 | 1 | OIL FILTER | W&C | - |
| 10 | 1 | WATER TRAP | W&C | - |
| 9 | 1 | EXHAUST FLEX. | W&C | - |
| 8 | 1 | OIL PRESSURE SENDER | VDO | - |
| 7 | 1 | TEMP SENDER | VDO | - |
| 6 | 1 | FUEL SOLENOID | W&C | - |
| 5 | 1 | MAGNETIC SPEED PICKUP | W&C | - |
| 4 | 1 | AIR CLEANER | W&C | - |
| 3 | 1 | HEAT EXCHANGER | CH200 | - |
| 2 | 1 | SUPPORT FEET & PANELS | W&C | - |
| 1 | 1 | 485 DIESEL ENGINE | CROSSLEY | - |

| REV. | DESCRIPTION | DRN | DATE | CHK. | DATE. |
|------|------------------------|------|----------|--------|----------|
| - | - | - | - | - | - |
| D | REVISED ENGINE DRAWING | R.M. | 27.11.13 | P.N.L. | 27.11.13 |
| B | REVISED ENGINE DRAWING | R.M. | 20.11.13 | P.N.L. | 20.11.13 |
| C | ISSUED FOR MANUFACTURE | R.M. | 13.11.13 | P.N.L. | 13.11.13 |
| A | ISSUED FOR APPROVAL | R.M. | 13.11.13 | P.N.L. | 13.11.13 |

TO BE MODIFIED ON CAD ONLY
 SCALE : 1:10
 PLOT SCALE : 1:10 @ A3
TOLERANCES
 ASSEMBLY DIMENSIONS ± 3 mm
 FABRICATED DIMENSIONS ± 2 mm
 MACHINING DIMENSIONS ± 0.125 mm
 UNLESS OTHERWISE SPECIFIED

W&C
WELLING & CROSSLEY PTY LTD
 59 EXPORT DRIVE BROOKLYN VIC. 3012
 UNIT 2/1040 WETHERILL PK NSW 2164
 UNIT 5/235 CAMBOON RD MALAGA WA 6090
 UNIT 11/1909 IPSWICH ROCKLEA QLD 4106

TITLE : FIRE PUMP DIESEL ENGINE
 485H CROSSLEY HEAT EXCHANGER
 GENERAL ARRANGEMENT
 DRG No: 20-485N-006
 A3 REV D