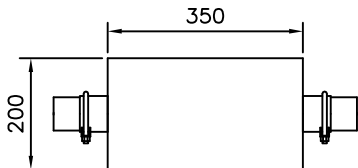


PAINTING/POWDERCOATING

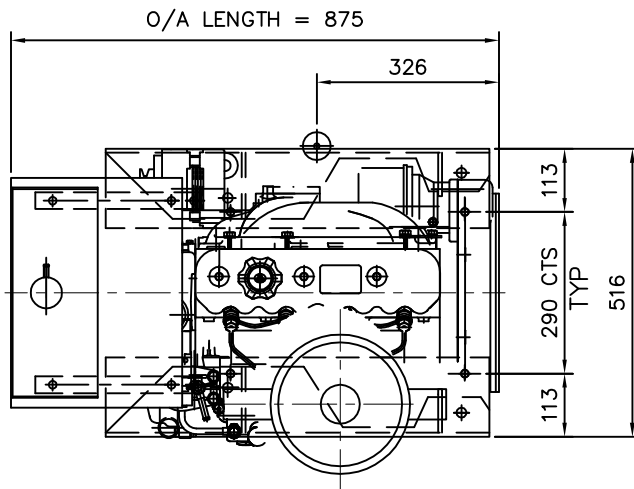
ENGINE:- PAINTED SIGNAL RED
 FEET:- POWDERCOATED SIGNAL RED
 RADIATOR:- POWDER COATED SEMIGLOSS BLACK
 MUFFLER:- HIGH TEMP SILVER

OIL SUMP PLUG

IS LOCATED FLUSH WITH SUMP BOTTOM. LUBE OIL MUST BE DRAINED THROUGH DIPSTICK HOLE. ALTERNATELY, DRAIN TO BE EXTENDED BY PUMP PACKAGER.



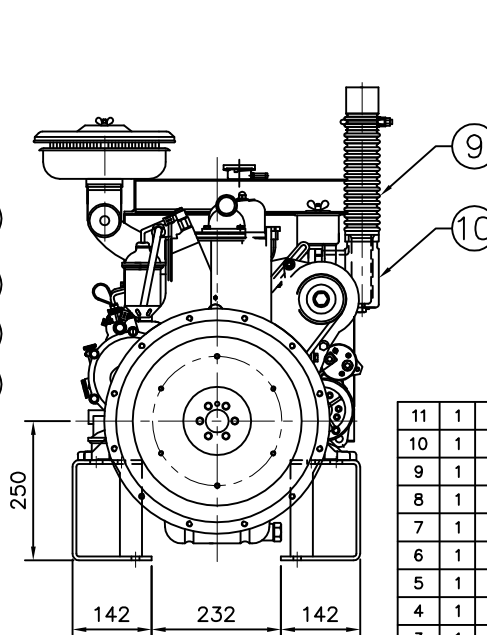
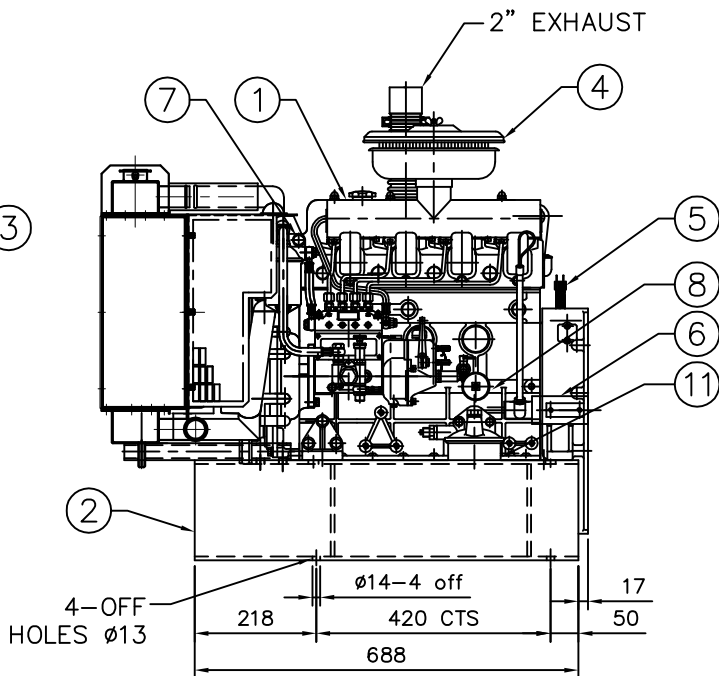
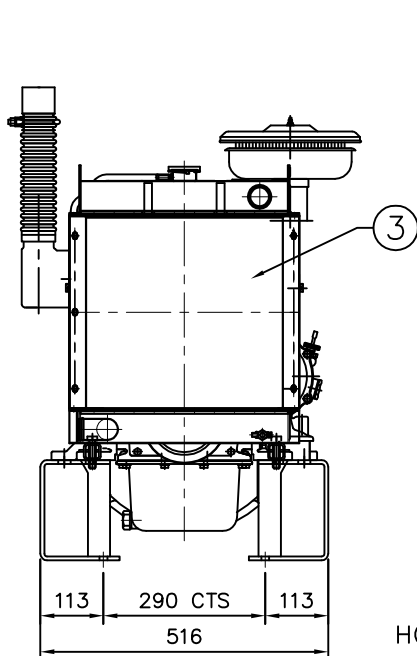
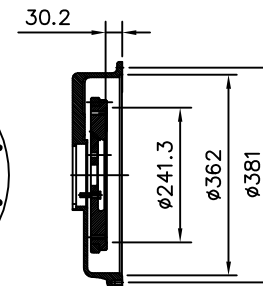
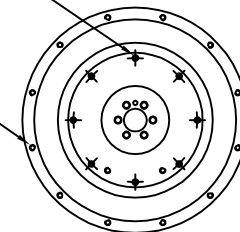
MUFFLER
2" OD PIPES



**HOUSING SAE 4
& FLYWHEEL SAE 7 1/2**

8-OFF EQUALLY SPACED M8 @ PCD Ø222.25

12-OFF EQUALLY SPACED M10 @ PCD Ø381.00



ITEM	QTY	DESCRIPTION	W&C REF. No.	Wt. Kg.
11	1	OIL FILTER	W&C	-
10	1	WATER TRAP	W&C	-
9	1	EXHAUST FLEX.	W&C	-
8	1	OIL PRESSURE SENDER	VDO	-
7	1	TEMP SENDER	VDO	-
6	1	FUEL SOLENOID	W&C	-
5	1	MAGNETIC SPEED PICKUP	W&C	-
4	1	AIR CLEANER	W&C	-
3	1	RADIATOR	W&C	-
2	1	SUPPORT FEET & PANELS	W&C	-
1	1	480 DIESEL ENGINE	CROSSLEY	-

REV.	DESCRIPTION	DRN	DATE	CHK.	DATE.
-	-	-	-	-	-
-	-	-	-	-	-
B	REVISED ENGINE DRAWING	R.M.	27.11.13	P.N.L.	27.11.13
C	ISSUED FOR MANUFACTURE	R.M.	12.11.13	P.N.L.	12.11.13
A	ISSUED FOR APPROVAL	R.M.	12.11.13	P.N.L.	12.11.13

W&C
WELLING & CROSSLEY PTY LTD
 59 EXPORT DRIVE BROOKLYN VIC. 3012
 UNIT 2/1040 WETHERILL PK NSW 2164
 UNIT 5/235 CAMBOON RD MALAGA WA 6090
 UNIT 11/1909 IPSWICH ROCKLEA QLD 4106

THIS DRAWING AND DESIGN REMAIN THE PROPERTY OF WELLING & CROSSLEY PTY. LTD. A.B.N. 61 005 690 273. THIS DRAWING AND DESIGN CAN NOT BE COPIED OR ALTERED IN ANY WAY WITHOUT PRIOR WRITTEN APPROVAL FROM WELLING & CROSSLEY PTY. LTD. THIS DRAWING AND ALL COPIES, HARD & SOFT MUST BE RETURNED TO WELLING & CROSSLEY PTY. LTD. UPON REQUEST FROM WELLING & CROSSLEY PTY. LTD.

TITLE : FIRE PUMP DIESEL ENGINE
 480 CROSSLEY RADIATOR
 GENERAL ARRANGEMENT
 DRG No: 20-480N-007
 A3
 REV C