

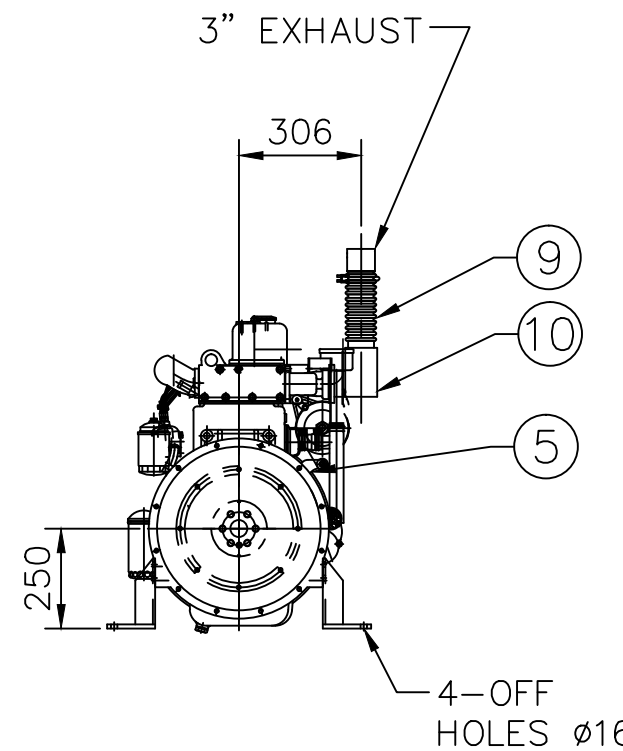
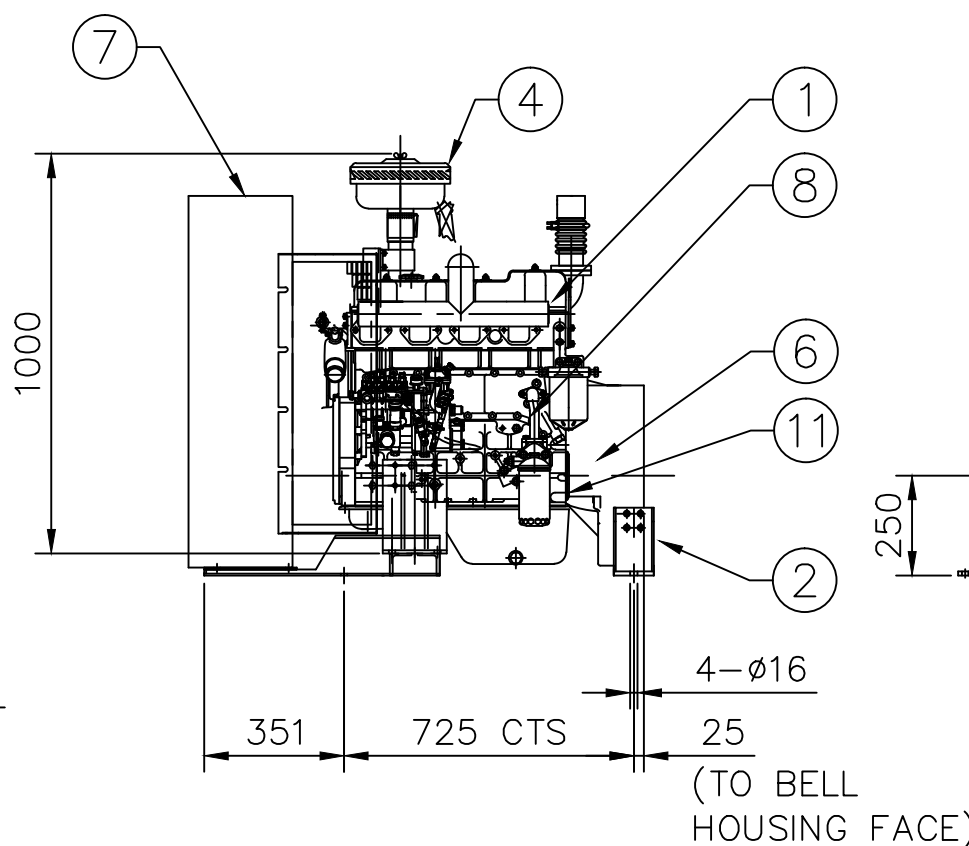
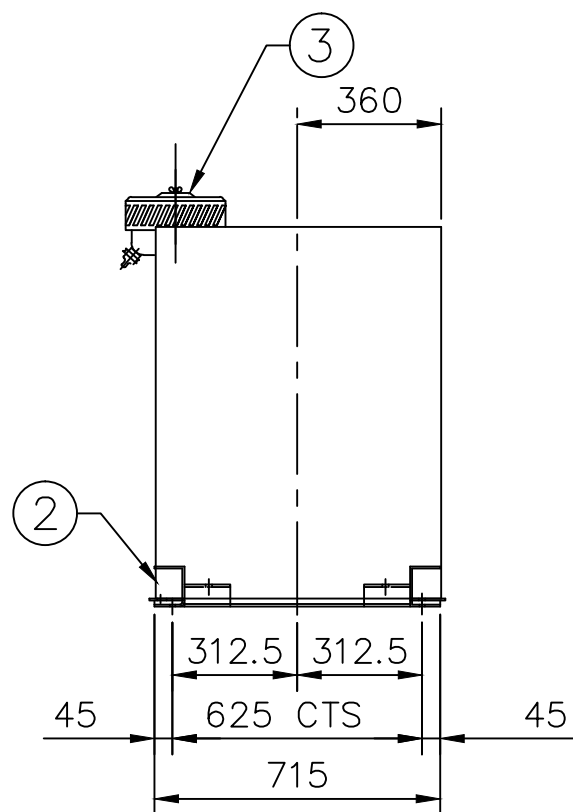
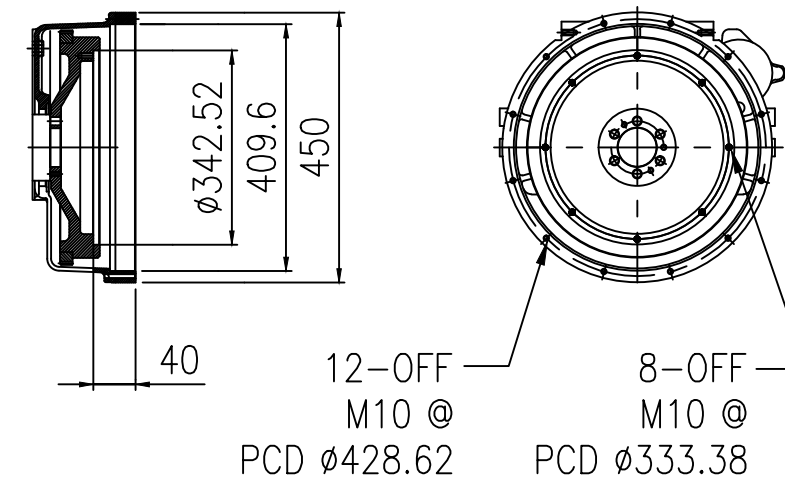
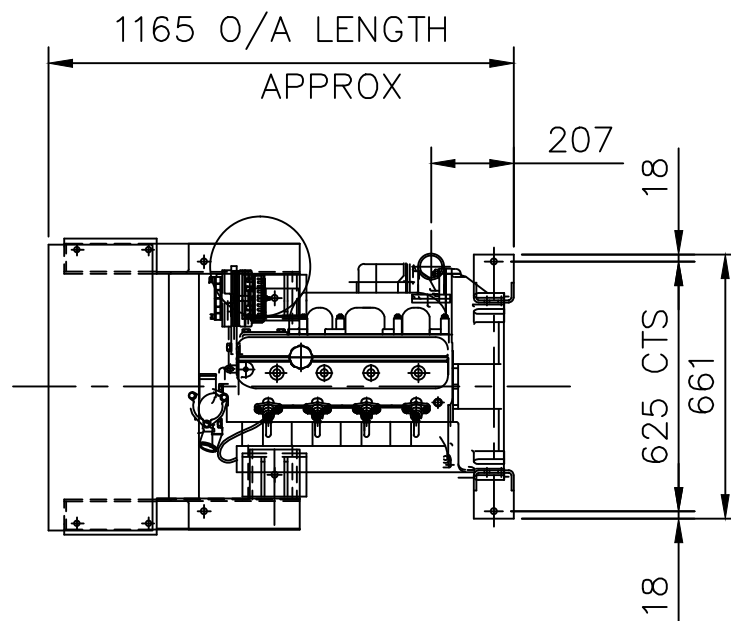
PAINTING/POWDERCOATING

ENGINE:- PAINTED SIGNAL RED
 FEET :- POWDER COATED SIGNAL RED
 RADIATOR:- PAINTED BLACK
 MUFFLER:- HIGH TEMP SILVER

OIL SUMP PLUG

IS LOCATED FLUSH WITH SUMP BOTTOM. LUBE OIL MUST BE DRAINED THROUGH DIPSTICK HOLE. ALTERNATELY, DRAIN TO BE EXTENDED BY PUMP PACKAGER.

BELL HOUSING SAE 3
 FLYWHEEL SAE 11 1/2



TOTAL WEIGHT = 600 Kg.

ITEM	QTY	DESCRIPTION	W&C REF. No.	Wt. Kg.
11	1	OIL FILTER	W&C	-
10	1	WATER TRAP	W&C	-
9	1	EXHAUST FLEX	W&C	-
8	1	OIL PRESSURE SENDER	VDO	-
7	1	TEMP SENDER	VDO	-
6	1	FUEL SOLENOID	W&C	-
5	1	MAGNETIC SPEED PICKUP	W&C	-
4	1	AIR CLEANER	W&C	-
3	1	RADIATOR	300CH	-
2	4	SUPPORT FEET	W&C	-
1	1	4105T DIESEL ENGINE	CROSSLEY	-

REV.	DESCRIPTION	DRN	DATE	CHK.	DATE.
-	-	-	-	-	-
D	ASSEMBLY CHECK, UPDATED DRAWING DIMENSIONS	P.S.M.	03.02.16	P.N.L.	03.02.16
C	UPDATED RADIATOR FEET DIMS	P.S.M.	22.06.15	P.N.L.	22.06.15
B	ISSUED FOR MANUFACTURE	P.N.L.	15.10.14	S.B.	15.10.14
A	ISSUED FOR APPROVAL	P.N.L.	15.10.14	S.B.	15.10.14

TO BE MODIFIED ON CAD ONLY
 SCALE :1:20
 PLOT SCALE :1:20 @ A3
TOLERANCES
 ASSEMBLY DIMENSIONS ± 3 mm
 FABRICATED DIMENSIONS ± 2 mm
 MACHINING DIMENSIONS ± 0.125 mm
 UNLESS OTHERWISE SPECIFIED

W&C
WELLING & CROSSLEY PTY LTD
 50-58 NEW STREET STH KINGSVILLE VIC. 3015
 2/6-8 ALLEN PLACE WETHERILL PK NSW 2164
 5/235 CAMBOON RD MALAGA WA 6090
 11/1909 IPSWICH ROCKLEA QLD 4106
 EMAIL: wellcross@wellcross.com.au

THIS DRAWING AND DESIGN REMAIN THE PROPERTY OF WELLING & CROSSLEY PTY. LTD. A.B.N. 61 005 690 273. THIS DRAWING AND DESIGN CAN NOT BE COPIED OR ALTERED IN ANY WAY WITHOUT PRIOR WRITTEN APPROVAL FROM WELLING & CROSSLEY PTY. LTD. THIS DRAWING AND ALL COPIES, HARD & SOFT MUST BE RETURNED TO WELLING & CROSSLEY PTY. LTD. UPON REQUEST FROM WELLING & CROSSLEY PTY. LTD.

TITLE : FIRE PUMP DIESEL ENGINE
 4105T CROSSLEY RADIATOR
 GENERAL ARRANGEMENT
 DRG No: 20-4105T-007 A3 REV D