

PAINTING/POWDERCOATING

ENGINE: - PAINTED SIGNAL RED
 FEET & PANELS: - POWDER COATED SIGNAL RED
 HEAT EXCHANGER: - PAINTED SIGNAL RED
 MUFFLER: - HIGH TEMP SILVER

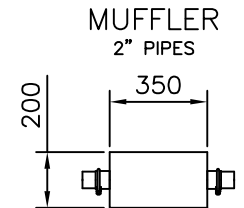
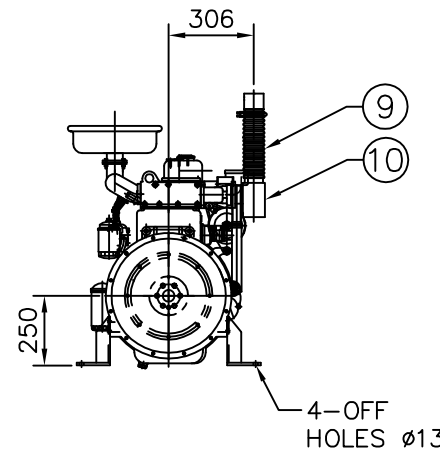
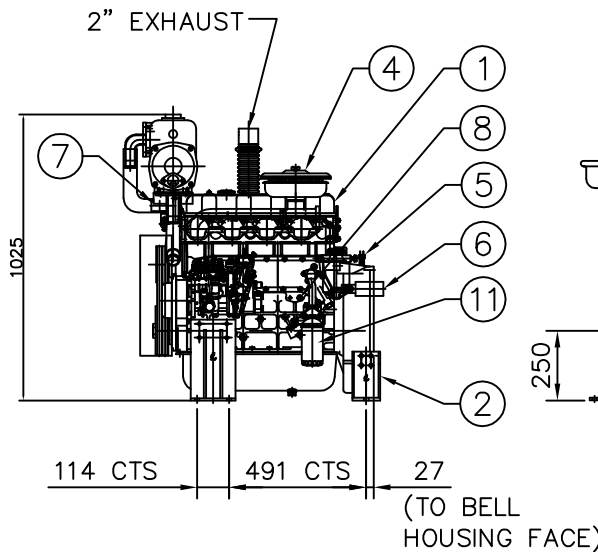
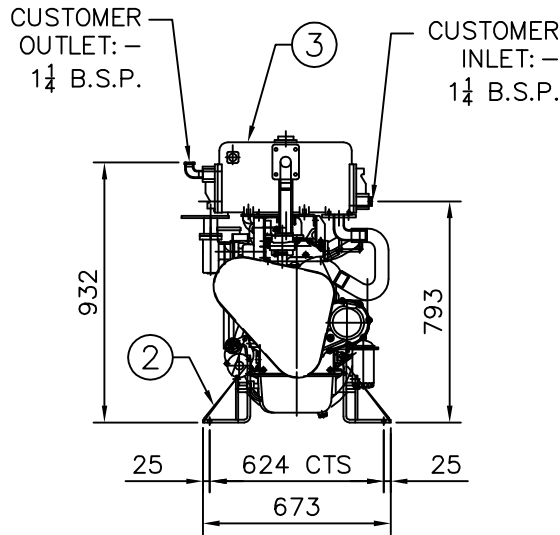
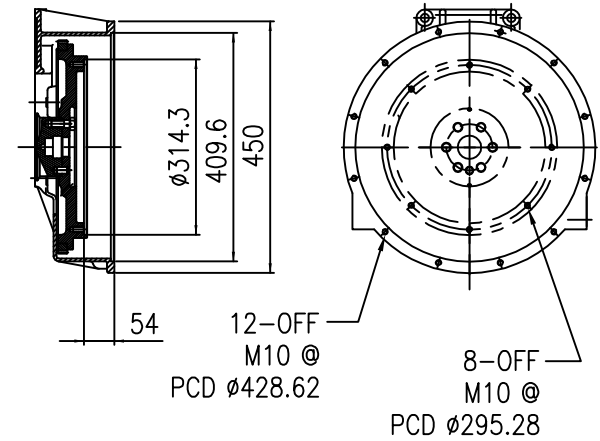
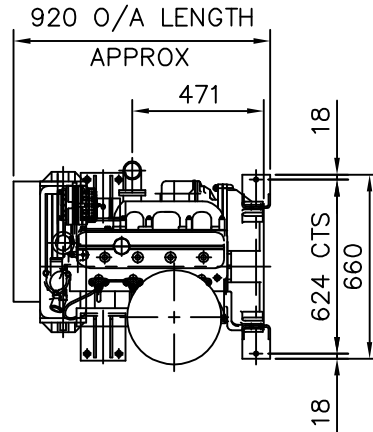
OIL SUMP PLUG

IS LOCATED FLUSH WITH SUMP BOTTOM. LUBE OIL MUST BE DRAINED THROUGH DIPSTICK HOLE. ALTERNATELY, DRAIN TO BE EXTENDED BY PUMP PACKAGER.

COOLING WATER FLOW RATE

MINIMUM FLOW RATE IS 1.3 LITRES PER SECOND @ 20°. HIGHER FLOW RATES ARE REQUIRED AT HIGHER TEMPERATURES. FAILURE TO PROVIDE THIS FLOW RATE WILL CAUSE PERMANENT ENGINE FAILURE WITHIN MINUTES OF RUNNING THE DIESEL ENGINE.

BELL HOUSING SAE 3, FLYWHEEL SAE 10



TOTAL WEIGHT = 550 Kg.

ITEM	QTY	DESCRIPTION	W&C REF. No.	Wt. Kg.
11	1	OIL FILTER	W&C	-
10	1	WATER TRAP	W&C	-
9	1	EXHAUST FLEX	W&C	-
8	1	OIL PRESSURE SENDER	VDO	-
7	1	TEMP SENDER	VDO	-
6	1	FUEL SOLENOID	W&C	-
5	1	MAGNETIC SPEED PICKUP	W&C	-
4	1	AIR CLEANER	W&C	-
3	1	HEAT EXCHANGER	300CH	-
2	4	SUPPORT FEET	W&C	-
1	1	4102 DIESEL ENGINE	CROSSLEY	-

TITLE : FIRE PUMP DIESEL ENGINE
 4102 CROSSLEY HEAT EXCHANGER
 GENERAL ARRANGEMENT

DRG No: 20-4102N-006 A3 REV E

REV.	DESCRIPTION	DRN	DATE	CHK.	DATE.	TOLERANCES
E	REVISED ENGINE DRAWING	R.M.	27.11.13	P.N.L.	27.11.13	ASSEMBLY DIMENSIONS ± 3 mm
D	REVISED ENGINE DRAWING	R.M.	25.11.13	P.N.L.	25.11.13	FABRICATED DIMENSIONS ± 2 mm
C	REVISED ENGINE DRAWING	R.M.	22.11.13	P.N.L.	22.11.13	MACHINING DIMENSIONS ± 0.125 mm
B	ISSUED FOR MANUFACTURE	R.M.	19.11.13	P.N.L.	19.11.13	UNLESS OTHERWISE SPECIFIED
A	ISSUED FOR APPROVAL	R.M.	19.11.13	P.N.L.	19.11.13	

WELLING & CROSSLEY PTY LTD
 50-58 NEW STREET STH KINGSVILLE VIC. 3015
 2/6-8 ALLEN PLACE WETHERILL PK NSW 2164
 5/235 CAMBOON RD MALAGA WA 6090
 11/1900 IPSWICH ROCKETA QLD 4106

THIS DRAWING AND DESIGN REMAIN THE PROPERTY OF WELLING & CROSSLEY PTY. LTD. A.B.N. 61 005 690 273. THIS DRAWING AND DESIGN CAN NOT BE COPIED OR ALTERED IN ANY WAY WITHOUT PRIOR WRITTEN APPROVAL FROM WELLING & CROSSLEY PTY. LTD. THIS DRAWING AND ALL COPIES, HARD & SOFT MUST BE RETURNED TO WELLING & CROSSLEY PTY. LTD. UPON REQUEST FROM WELLING & CROSSLEY PTY. LTD.