

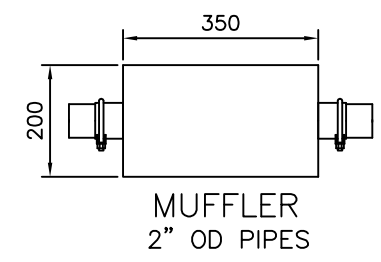
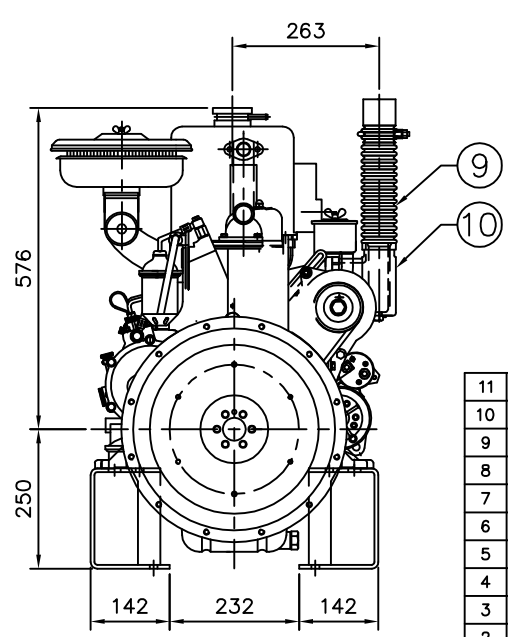
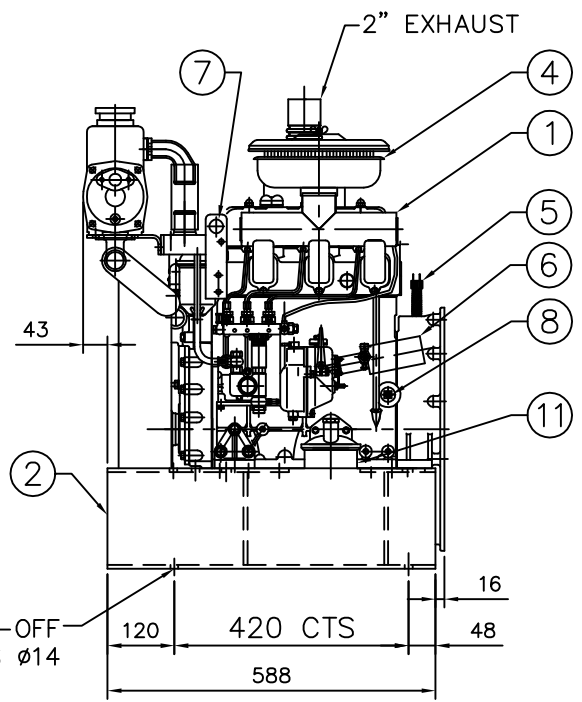
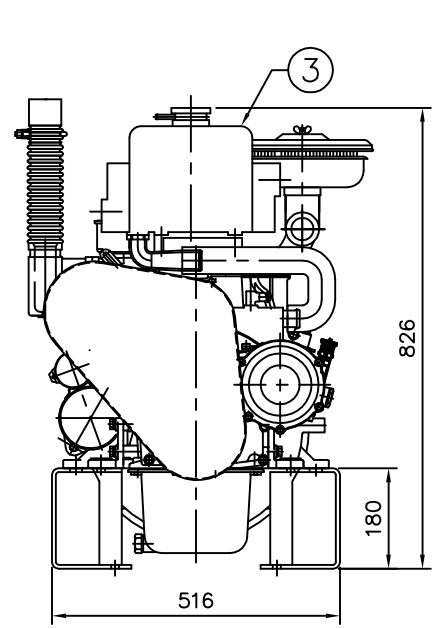
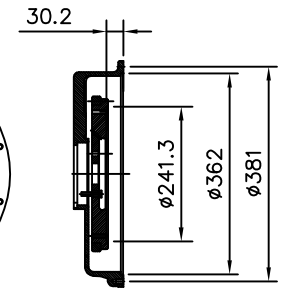
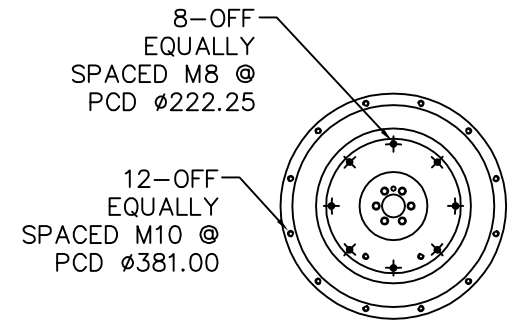
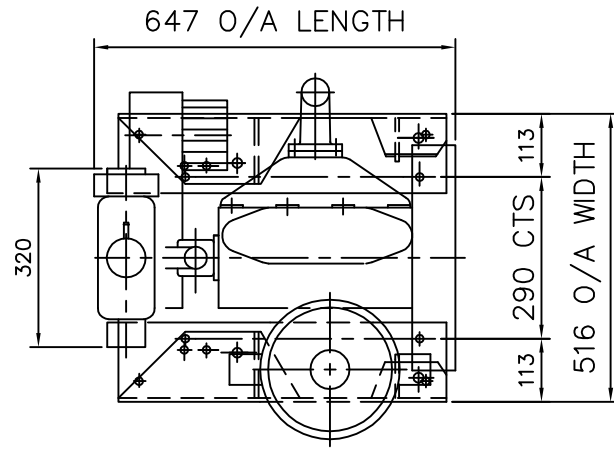
**PAINTING/POWDERCOATING**

ENGINE: - PAINTED SIGNAL RED  
 FEET & PANELS: - POWDER COATED SIGNAL RED  
 HEAT EXCHANGER: - PAINTED SIGNAL RED  
 MUFFLER: - HIGH TEMP SILVER

**OIL SUMP PLUG**

IS LOCATED FLUSH WITH SUMP BOTTOM. LUBE OIL MUST BE DRAINED THROUGH DIPSTICK HOLE. ALTERNATELY, DRAIN TO BE EXTENDED BY PUMP PACKAGER.

**HOUSING SAE 4 & FLYWHEEL SAE 7 1/2**



| ITEM | QTY | DESCRIPTION           | W&C REF. No. | Wt. Kg. |
|------|-----|-----------------------|--------------|---------|
| 11   | 1   | OIL FILTER            | W&C          | -       |
| 10   | 1   | WATER TRAP            | W&C          | -       |
| 9    | 1   | EXHAUST FLEX          | W&C          | -       |
| 8    | 1   | OIL PRESSURE SENDER   | VDO          | -       |
| 7    | 1   | TEMP SENDER           | VDO          | -       |
| 6    | 1   | FUEL SOLENOID         | W&C          | -       |
| 5    | 1   | MAGNETIC SPEED PICKUP | W&C          | -       |
| 4    | 1   | AIR CLEANER           | W&C          | -       |
| 3    | 1   | HEAT EXCHANGER        | 200CH        | -       |
| 2    | 1   | SUPPORT FEET & PANELS | W&C          | -       |
| 1    | 1   | 380 DIESEL ENGINE     | CROSSLEY     | -       |

| REV. | DESCRIPTION            | DRN  | DATE     | CHK.   | DATE.    |
|------|------------------------|------|----------|--------|----------|
| -    | -                      | -    | -        | -      | -        |
| C    | REVISED ENGINE DRAWING | R.M. | 27.11.13 | P.N.L. | 27.11.13 |
| B    | ISSUED FOR MANUFACTURE | R.M. | 08.11.13 | P.N.L. | 08.11.13 |
| A    | ISSUED FOR APPROVAL    | R.M. | 08.11.13 | P.N.L. | 08.11.13 |

**W&C**  
 WELLYNG & CROSSLEY PTY LTD  
 50-58 NEW STREET STH KINGSVILLE VIC. 3015  
 2/6-8 ALLEN PLACE WETHERILL PK NSW 2164  
 5/235 CAMBOON RD MALAGA WA 6090  
 11/1900 IPSWICH ROCKETA QLD 4106

THIS DRAWING AND DESIGN REMAIN THE PROPERTY OF WELLYNG & CROSSLEY PTY. LTD. A.B.N. 61 005 690 273. THIS DRAWING AND DESIGN CAN NOT BE COPIED OR ALTERED IN ANY WAY WITHOUT PRIOR WRITTEN APPROVAL FROM WELLYNG & CROSSLEY PTY. LTD. THIS DRAWING AND ALL COPIES, HARD & SOFT MUST BE RETURNED TO WELLYNG & CROSSLEY PTY. LTD. UPON REQUEST FROM WELLYNG & CROSSLEY PTY. LTD.

TITLE : FIRE PUMP DIESEL ENGINE  
 380 CROSSLEY HEAT EXCHANGER  
 AH,BH,CH GENERAL ARRANGEMENT  
 DRG No: 20-380N-006  
 A3 REV C